

Beside Pantry

GSA Price List – February 2026



This price list is based upon Haworth's December 2025 commercial pricing.
GENERAL SERVICES ADMINISTRATION FEDERAL SUPPLY SERVICE
Authorized Federal Supply Scheduled Price List (Catalog) Office Furniture, Wood Casegoods and Tables
(FSC Group 71, Part I, FSC Classes 7105, 7110, 7125 and 7195)
Contract No: GS-03F-057DA | Contract Period: February 28, 2026 – February 7, 2031 | Business: Large
Contractor: Haworth, Inc. | One Haworth Center | Holland, MI 49423-9576 | 1.616.393.3000





This Haworth North American price book contains US list prices.

Canadian customers can convert the US list price into their Canadian equivalent by going to www.Haworth.com/Canada to find the current Canadian multipliers. These multiplier factors allow you to convert the US list price into a Canadian list price.

HAWORTH, INC.

GENERAL SERVICES ADMINISTRATION

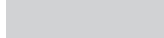
FEDERAL ACQUISITION SERVICES

Authorized Federal Supply Schedule Furniture (FSC Group 71, FSC Classes 7105, 7110, 7125 and 7195)

Contract Number:	GS-03F-057DA
Contract Start Date:	February 28, 2026
Contract End Date:	February 7, 2031
Contractor:	HAWORTH, INC. One Haworth Center Holland, MI 49423-9576 1-616-393-3000 http://www.haworth.com/government
Business Size:	Large

Information for Ordering Activities I-FSS-600

Online access to Haworth's Authorized Federal Supply Schedule contract ordering information, terms and conditions, and up-to-date product and discount listing can be found at GSA Advantage, eLibrary link [here](#).



This Page Intentionally Left Blank

Beside Pantry Price List

Includes pricing, catalog numbers, finish codes/availability, specification requirements, line art, dimensions, and specification tips for Beside Pantry.

Storage Pantry

Accessories

Electrical Components

Table of Contents

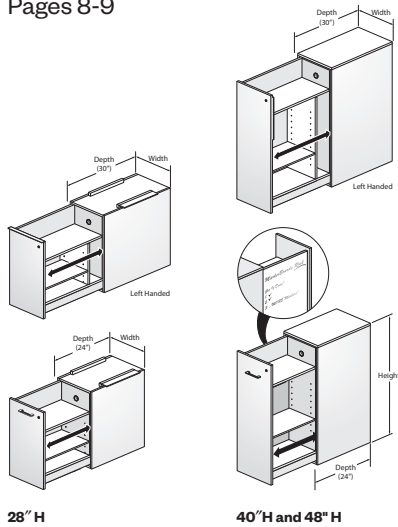
Price List

Statement of Line	7
Storage Pantry	
28"H	8
40"H and 48"H	9
Finished Back	11
Accessories	
Personal Drawer	12
Hanging File Drawer	12
Adjustable Shelf	12
Upper Slat Rail	13
Lower Slat Rail	13
Saddle	13
Attachment Brackets	14
Compose Panel to Pantry Bracket	15
Electrical Components	
Bezel Utility Model	16
Jumpers	16
Grommet	17
Resources	
Surface Materials	19
Index	20

Statement of Line

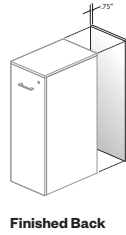
Storage Pantry

Pages 8-9



Finished Back

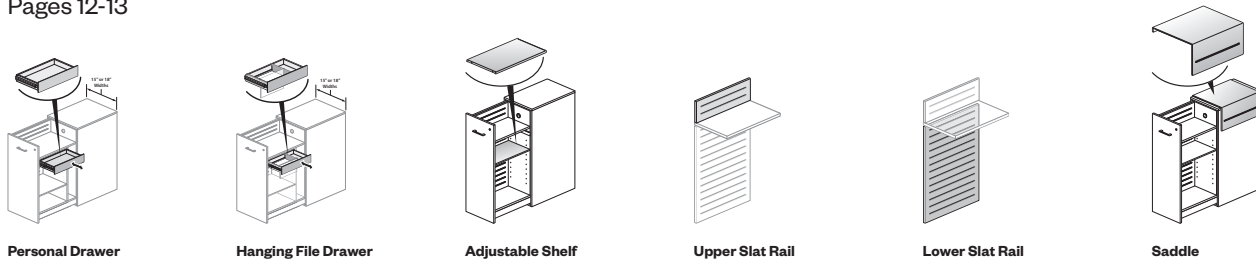
Page 11



Finished Back

Accessories

Pages 12-13



Personal Drawer

Hanging File Drawer

Adjustable Shelf

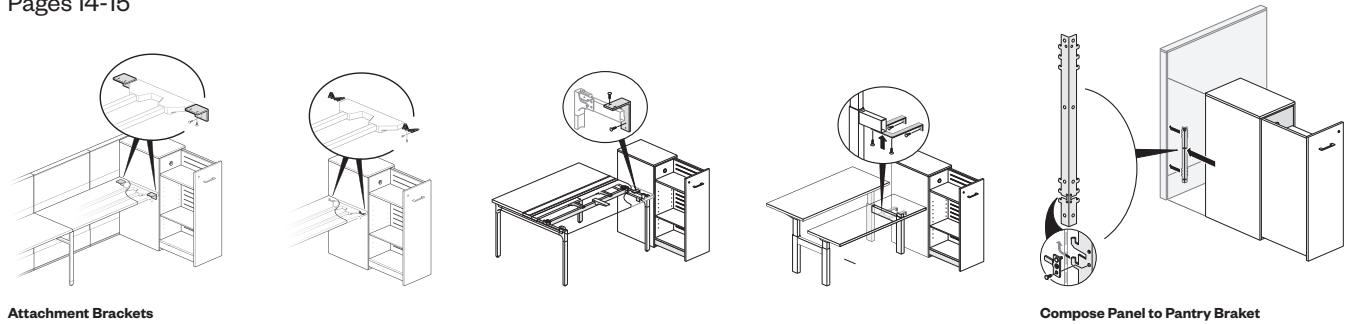
Upper Slat Rail

Lower Slat Rail

Saddle

Attachment Brackets

Pages 14-15

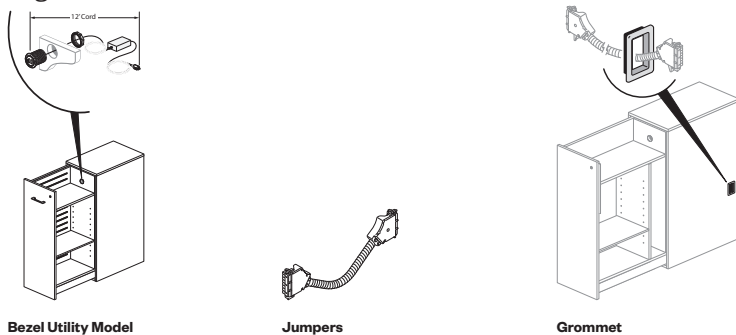


Attachment Brackets

Compose Panel to Pantry Bracket

Electrical Components

Pages 16-17



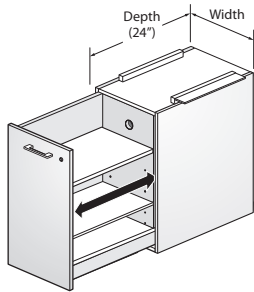
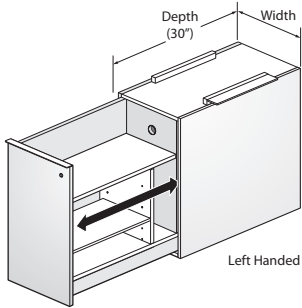
Bezel Utility Model

Jumpers

Grommet

Storage Pantry

28"H



QLG1-ZLLF
Class BD

Features

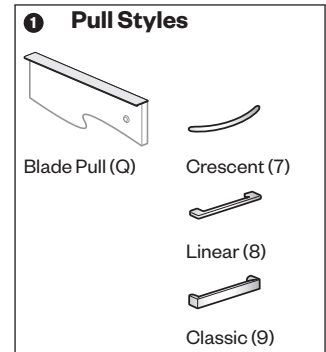
- Includes: High Pressure Laminate (HPL) case with sliding pull out storage pantry, spacer, glides and one center caster.
- Spacer: 1.18"(30mm)H.
- Glides: Adjustment range: 1.25"(32mm).
- Center Caster: Height adjustable caster located in the center front of the pull out storage pantry. Adjustment range: 1"(25mm).
- Full extension slides.
- Storage pantry standard with fixed shelf between upper and lower storage compartments.
- Pantry drilled with holes in 2"(51mm) increments to accept separately specified adjustable shelf.
- Pantry interior standard in laminate matching case.
- 15"(381mm) and 18"(457mm)W units accommodate standard height binders in lower storage compartment.
- Crescent, Linear and Classic pulls are brushed nickel finish. Blade pull available in trim color.
- Optional USB Power Cutout comes with a precut hole to accept a round Bezel Utility Module.
- Bezel Utility Module is separately specified.
- Lock option standard in chrome.
- Digital locks available. For this and other lock options, refer to Lock Program section in the Accessories Price List.

Specification Tips

- Maximum load capacity of 125 pounds.
- For use beneath a separately specified adaptable worksurface; storage pantry standard with spacer provides a 29"(737mm) finished height worksurface.
- Must be attached under an adaptable worksurface equal to or greater than pantry depth.
- Not for use with Intuity worksurfaces.
- When using pantry to support one end of a worksurface in a panel application, secure worksurface to panel using a corner bracket, cantilever, or pantry to panel bracket; separately specified.
- Separately specified and field installed options include:
 - Finished back
 - Bezel Utility Module (must be installed prior to installing a finished back)
 - Adjustable shelf
 - Upper and lower slat rails
- 28"(711mm)H pantry not available with inner pantry markerboard side panel option.
- Upper storage compartment is 6.38"(162mm)H.
- Lower Storage compartment is 13.64"(346mm)H.
- Lower storage compartment of 24"(610mm)D pantry consists of one storage section. 30"(762mm)D pantry lower storage compartment comprised of two storage compartments.
- Door Orientation: If pantry is located on left-hand side of the user it is left-handed. If located on right-hand side of user it is right-hand
- Not for use with Saddle Cover.

To Order, Specify:

- Product number, including:
 - Pull Option:** (see side bar)
 - Q** Blade (add **\$58.01** list)
 - 7** Crescent
 - 8** Linear
 - 9** Classic
 - User Orientation:**
 - L** Left-Hand
 - R** Right-Hand
 - Lock Option:**
 - L** Locking (add **\$58.02** list)
 - N** Non-Locking
 - USB Power Cutout Option:**
 - N** No power cutout
 - Y** Bezel Utility Module power cutout (add **\$72.51** list)
- Case exterior laminate finish.
- Case exterior laminate edgeband color.
- Front laminate finish color.
- Front laminate edgeband color (if applicable).
- Trim color (Spacer and Blade pull if applicable).



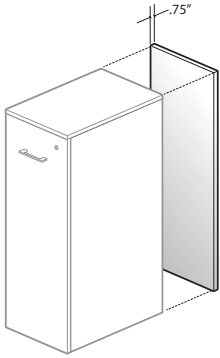
Height	Depth	Width	Number	①②③④	Case HPL A Front - HPL		Case HPL B Front - HPL	
					A	B	A	B
28"(711mm)	24"(610mm)	12"(305mm)	QLG1-2812-ZLLF	■ ■ ■ ■	\$2930.73	\$2967.11	\$3091.75	\$3128.13
		15"(381mm)	QLG1-2815-ZLLF	■ ■ ■ ■	2991.63	3028.33	3156.61	3193.31
		18"(457mm)	QLG1-2818-ZLLF	■ ■ ■ ■	3052.53	3089.23	3221.47	3258.17
30"(762mm)	12"(305mm)	12"(305mm)	QLM1-2812-ZLLF	■ ■ ■ ■	\$3104.61	\$3140.99	\$3278.23	\$3314.61
		15"(381mm)	QLM1-2815-ZLLF	■ ■ ■ ■	3165.51	3202.21	3343.09	3379.79
		18"(457mm)	QLM1-2818-ZLLF	■ ■ ■ ■	3226.41	3263.11	3407.95	3444.65

Storage Pantry

40”H and 48”H

Height	Depth	Width	Number ①	②③④⑤	Case HPL A Front - HPL		Case HPL B Front - HPL	
					A	B	A	B
Worksurface Depth								
40”(1016mm)	24”(610mm)	12”(305mm)	QLG1-4012-	LLF	\$3078.86	\$ 3117.40	\$3249.96	\$3288.50
		15”(381mm)	QLG1-4015-	LLF	3139.76	3178.62	3314.82	3353.68
		18”(457mm)	QLG1-4018-	LLF	3200.66	3239.52	3379.68	3418.54
30”(762mm)	12”(305mm)	12”(305mm)	QLM1-4012-	LLF	\$3252.74	\$ 3291.28	\$3436.44	\$ 3474.98
		15”(381mm)	QLM1-4015-	LLF	3313.64	3352.50	3501.30	3540.16
		18”(457mm)	QLM1-4018-	LLF	3374.54	3413.40	3566.16	3605.02
48”(1219mm)	24”(610mm)	12”(305mm)	QLG1-4812-	LLF	\$3206.62	\$3246.60	\$3384.44	\$3424.42
		15”(381mm)	QLG1-4815-	LLF	3267.52	3307.82	3449.30	3489.60
		18”(457mm)	QLG1-4818-	LLF	3328.42	3368.72	3514.16	3554.46
30”(762mm)	12”(305mm)	12”(305mm)	QLM1-4812-	LLF	\$3380.50	\$3420.48	\$3570.92	\$ 3610.90
		15”(381mm)	QLM1-4815-	LLF	3441.40	3481.70	3635.78	3676.08
		18”(457mm)	QLM1-4818-	LLF	3502.30	3542.60	3700.64	3740.94
Extended Depth								
40”(1016mm)	25.5”(648mm)	12”(305mm)	QLG2-4012-	LLF	\$ 3118.33	\$ 3156.87	\$3289.43	\$ 3327.97
		15”(381mm)	QLG2-4015-	LLF	3179.23	3218.09	3354.29	3393.15
		18”(457mm)	QLG2-4018-	LLF	3240.13	3278.99	3419.15	3458.01
31.5”(800mm)	12”(305mm)	12”(305mm)	QLM2-4012-	LLF	\$ 3313.99	\$3352.53	\$ 3497.69	\$3536.23
		15”(381mm)	QLM2-4015-	LLF	3374.89	3413.75	3562.55	3601.41
		18”(457mm)	QLM2-4018-	LLF	3435.79	3474.65	3627.41	3666.27
48”(1219mm)	25.5”(648mm)	12”(305mm)	QLG2-4812-	LLF	\$3252.01	\$ 3291.99	\$3429.83	\$3469.81
		15”(381mm)	QLG2-4815-	LLF	3312.91	3353.21	3494.69	3534.99
		18”(457mm)	QLG2-4818-	LLF	3373.81	3414.11	3559.55	3599.85
31.5”(800mm)	12”(305mm)	12”(305mm)	QLM2-4812-	LLF	\$3447.67	\$ 3487.65	\$3638.09	\$3678.07
		15”(381mm)	QLM2-4815-	LLF	3508.57	3548.87	3702.95	3743.25
		18”(457mm)	QLM2-4818-	LLF	3569.47	3609.77	3767.81	3808.11

Finished Back



QALF
Class BD

Features

- Includes: One field installed finished back and necessary hardware.
- Pantry with finished back will accommodate a saddle.
- Finished back on 28"(711mm)H pantry allows use of spacer to attach to worksurface.

Specification Tips

- Once installed the finished back is not removable.
- Optional round Bezel Utility Module must be installed prior to installing the finished back.
- Finished back not required when pantry back is applied against a panel and not exposed.

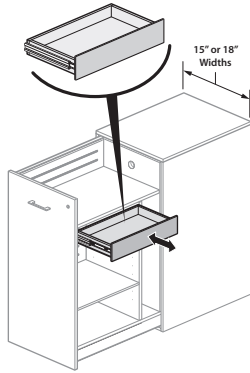
To Order, Specify:

- 1) Product number.
- 2) Laminate color.
- 3) Laminate edgeband color.

Height	Depth	Width	Number	HPL	
				A	B
HPL					
28"(711mm)	0.75"(19mm)	12"(305mm)	QALF-2812-L1	\$ 138.34	\$ 154.03
		15"(381mm)	QALF-2815-L1	152.98	169.84
		18"(457mm)	QALF-2818-L1	167.62	185.65
40"(1016mm)		12"(305mm)	QALF-4012-L1	\$ 187.30	\$206.71
		15"(381mm)	QALF-4015-L1	201.94	222.52
		18"(457mm)	QALF-4018-L1	216.58	238.33
48"(1219mm)		12"(305mm)	QALF-4812-L1	\$ 219.94	\$ 241.83
		15"(381mm)	QALF-4815-L1	234.58	257.64
		18"(457mm)	QALF-4818-L1	249.22	273.45

Accessories

Personal Drawer



QALD
Class BD

Features

- Includes: One birchwood drawer frame with painted steel front, steel ball bearing drawer slides and hardware.
- Drawer to be field installed.
- Drawer is non-locking.

Specification Tips

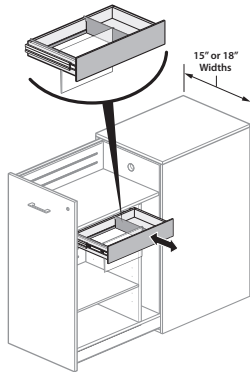
- Compatible with Beside Pantry only.
- Limit 3 drawers allowed per pantry.
- For use with 15" (381mm) and 18" (457mm)W and 30" (762mm) and 31.5" (800mm)D pantries.
- **Not for use with 24" (610mm)D or 25.5" (648mm)D Beside Pantry.**

To Order, Specify:

- 1) Product number.
- 2) Drawer front trim color.

Height	Depth	Width	Number	Trim	
				A	B
4" (102mm)	20" (508mm)	11.5" (292mm)	QALD-2415-S	\$365.93	\$374.06

Hanging File Drawer



QALH
Class BD

Features

- Includes: One birchwood drawer frame with painted steel front, steel ball bearing drawer slides and hardware.
- Drawer to be field installed.
- Letter size front to back filing.
- Drawer is non-locking.

Specification Tips

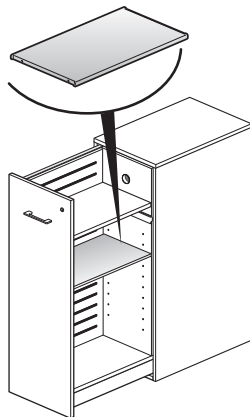
- Compatible with Beside Pantry only.
- For use with 15" (381mm) and 18" (457mm)W and 30" (762mm) and 31.5" (800mm)D pantries.
- **Not for use with 24" (610mm)D or 25.5" (648mm)D Beside Pantry.**

To Order, Specify:

- 1) Product number.
- 2) Drawer front trim color.

Height	Depth	Width	Number	Trim	
				A	B
4" (102mm)	20" (508mm)	11.5" (292mm)	QALH-2415-S	\$447.24	\$463.50

Adjustable Shelf



QALS
Class BD

Features

- Includes: Painted steel shelf and attachment hardware.
- Shelves adjust in 2" (51mm) increments.
- 30" (762mm) pantry with valet uses 24" (610mm)D shelf.

Specification Tips

- To relocate shelves, use pliers to remove the four shelf studs.
- Can be used with or without the lower slat rail. Shelf will sit flush to the slat rail or flush to the back of the pantry.

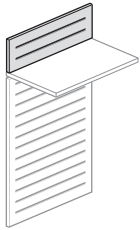
To Order, Specify:

- 1) Product number.
- 2) Trim color.

Height	Depth	Width	Number	Trim	
				A	B
.08" (2mm)	24" (610mm)	12" (305mm)	QALS-2412-S	\$174.02	\$201.82
		15" (381mm)	QALS-2415-S	180.11	210.34
		18" (457mm)	QALS-2418-S	186.20	218.86

Accessories

Upper Slat Rail



QALA
Class BD

Features

- Includes: One painted steel slat rail and attachment hardware.
- Attaches above the fixed shelf inside Beside Pantry.
- Compatible with Belong accessories. Tool cup must be used on bottom accessory rail. Hanging sorter cannot be used with Upper Slat Rail.

To Order, Specify:

- 1) Product number.
- 2) Trim color.

Height	Depth	Number	Trim	
			A	B
6"(152mm)	24"(610mm)	QALA-2406-S	\$149.55	\$ 161.09
	30"(762mm)	QALA-3006-S	168.99	185.57

Lower Slat Rail



QALB
Class BD

Features

- Includes: One painted steel slat rail and attachment hardware.
- Attaches below the fixed shelf inside Beside Pantry.

To Order, Specify:

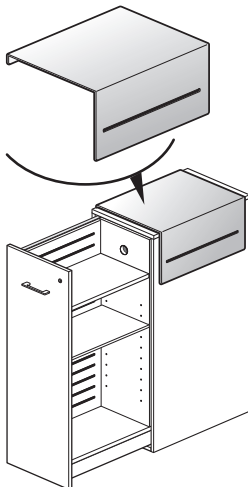
- 1) Product number.
- 2) Trim color.

Specification Tips

- Compatible with Belong accessories.
- Not available on 28"(711mm)H pantry.

Height	Depth	Number	Trim	
			A	B
27.5"(699mm)	24"(610mm)	QALB-2440-S	\$ 421.82	\$ 474.04
35.5"(902mm)	24"(610mm)	QALB-2448-S	486.22	548.04

Saddle



QAGC
Class BD

Features

- Includes one painted steel saddle with accessory slot.
- Accessory slot accommodates Belong accessories.
- Saddle extends down over one side of the Beside Pantry.
- Saddle on 40"(1016mm) H Pantry extends down 9.5"(229mm). Saddle on 48"(1219mm) H Pantry extends down 17.5"(432mm).

To Order, Specify:

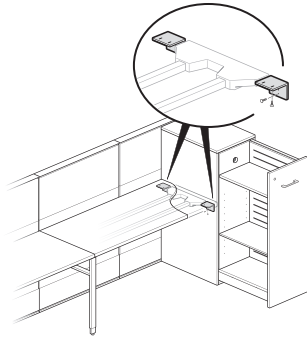
- 1) Product number.
- 2) Trim color.

Specification Tips

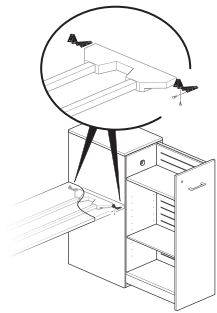
- For use on 40"(1016mm) or 48"(1219mm)H storage pantry only.
- Match width of saddle to width of storage pantry.

Case Height	Depth	Width	Number	Trim	
				A	B
40"(1016mm)	24"(610mm)	12"(305mm)	QAGC-4012-SS	\$ 341.29	\$ 464.99
		15"(381mm)	QAGC-4015-SS	355.93	484.49
		18"(457mm)	QAGC-4018-SS	370.57	503.99
48"(1219mm)	24"(610mm)	12"(305mm)	QAGC-4812-SS	\$ 393.29	\$ 536.51
		15"(381mm)	QAGC-4815-SS	407.93	556.01
		18"(457mm)	QAGC-4818-SS	422.57	575.51
40"(1016mm)	30"(762mm)	12"(305mm)	QAMC-4012-SS	\$ 360.73	\$ 494.27
		15"(381mm)	QAMC-4015-SS	375.37	513.77
		18"(457mm)	QAMC-4018-SS	390.01	533.27
48"(1219mm)	30"(762mm)	12"(305mm)	QAMC-4812-SS	\$ 412.73	\$ 565.79
		15"(381mm)	QAMC-4815-SS	427.37	585.29
		18"(457mm)	QAMC-4818-SS	442.01	604.79

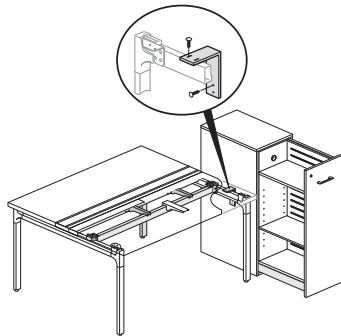
Attachment Brackets



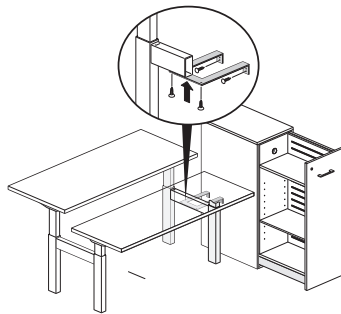
ZUBW-0000-PN



ZUBT-0307-PN



ZBBG-0000-PN



ZTBG-0000-PN
Class BD

Features

- Includes: One steel non-handed bracket and hardware.
- For use with 40"(1016mm) and 48"(1219mm) H Pantry.

Specification Tips

- Two ZUBW-0000-PN brackets (standard in Black) are used to attach one end of an Adaptable Worksurface in an off modular worksurface condition in a Compose panel application. The back of the off-modular worksurface must also be attached to the panel with a worksurface support bracket.
- Two ZUBT-0307-PN brackets (standard in Black) are used in the following conditions:
 - To attach one end of an Adaptable rectangular convergent worksurface with a maximum width of 60"(1524mm) in a non-panel based application. Opposite end requires a floor support option or to be attached to another storage pantry.
- Two ZBBG-0000-PN brackets are used to attach one end of an Intuity Worksurface in conjunction with Intuity support legs adjacent to the storage pantry in the following conditions:
 - When passing power through storage pantry or pantries to another Intuity worksurface.
 - To support a 12"(305mm)W storage pantry if field supplied ganging hardware is not applicable.
- Two ZTBG-0000-PN brackets are used to attach one end of an Planes Height Adjustable Table - Bench worksurface in the following conditions:
 - When passing power through storage pantry or pantries to another Planes Height Adjustable Table - Bench worksurface.
 - To support a 12"(305mm)W storage pantry if field supplied ganging hardware is not applicable.
- Back to back pantries will have one bracket per side.
- Jumper and Grommets are separately specified for routing power from desk-to-desk through a pantry or pantries.

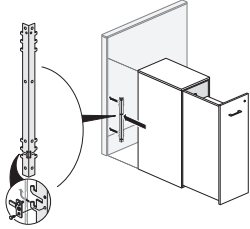
To Order, Specify:

- 1) Product number.
- 2) Trim color (if applicable).

Description	Number	Trim	
		A	B
Adaptable WS	ZUBW-0000-PN	\$43.91	N/A
Adaptable Rectangular Convergent WS	ZUBT-0307-PN	57.18	N/A
Intuity	ZBBG-0000-PN	63.06	71.37
Planes Height Adjustable Table-Bench	ZTBG-0000-PN	79.62	87.93

Attachment Brackets

Compose Panel To Pantry Bracket



ZZBF-1800-PNW
Class BD

Features

- Includes: One painted steel non-handed panel to pantry bracket.
- Used to attached Compose Full Panel Frame to Beside Pantry.
- For use with panels equal or taller than Beside Pantry.
- Installs in panel frame slots and attaches to the back corner.

Specification Tips

- Installation requires drilling of Pantry.
- Not for use with finished back.

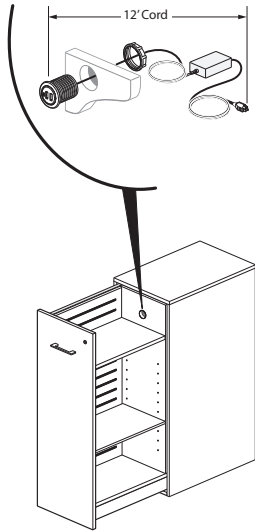
To Order, Specify:

- 1) Product number.
- 2) Trim color.

Description	Number	Trim	
		A	B
Compose Panel, Anti-Dislodgement Bracket, X Series 2H Storage & Beside Pantry	ZZBF-1800-PNW	\$144.17	\$165.00

Electrical Components

Bezel Utility Model



EURT-00E4-1010
Class YA



Features

- Includes: Round faced Power Module and mounting hardware.
- For use on surfaces 0.75"(19mm) - 1.44"(37mm) thick.
- Available with: One two port USB charger. Consists of two USB outlets with 1000mA of charging power (5 volts) per USB outlet.
- Available in black or supplier white only.

Specification Tips

- For use with 120 volt 60 hertz power sources only.
- Unit has one cord with 2"(51mm)x 1"(25mm) x 3"(76mm) voltage transformer plug. Transformer may block adjacent outlets.
- Field installed.
- Application may require approval of local authority having jurisdiction (AHJ); ensure compliance before placing orders and installing.

To Order, Specify:

1) Product number, including:

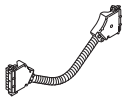
1 Color Options:

B Black

W White

Description	Diameter	Number 1	Price
12' Cord	1.75"(44mm)	EURT-00E4-1010C	\$493.48

Jumpers



EUEJ-0036-2
Class YA



Features

- Includes flexible metal power jumper with safety latches.
- For use with power components.
- Jumpers cannot be coupled together.
- Field installed.

Specification Tips

- Jumper routes power from desk/bench through a storage pantry or two side-by-side storage pantries to another desk/bench.
- For use with the following powered desk/bench applications:
 - Intuity
 - Planes Height Adjustable Table - Bench
- Not for use with Planes Height Adjustable Tables.
- Each jumper requires (2) separately specified grommets (KUAG-0204-PA); one for the exposed entry site and one for the exposed exit site.
- Refer to Specification Guide for calculation of jumper length.
- Do not mix components from different wiring configurations. Unique polarity keys and colors are used for each wiring configuration. (3 circuit=black, 2+2=blue, 3+1=green).

To Order, Specify:

1) Product number.

1 Power Option

3 3-Circuit

2 4-Circuit, 2+2

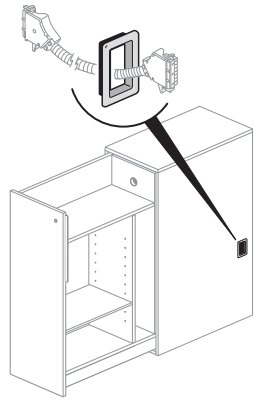
4 4-Circuit, 3+1

(No finish specification required.)

Actual Length	Number 1	Price
36"(914mm)	EUEJ-0036-	\$ 222.63
42"(1067mm)	EUEJ-0042-	234.72
48"(1219mm)	EUEJ-0048-	246.81
54"(1372mm)	EUEJ-0054-	258.90
60"(1524mm)	EUEJ-0060-	270.99

Electrical Components

Grommet



KUAG
Class YA

Features

- Includes one grommet.
- Standard in black.
- Installed in field drilled hole.

To Order, Specify:

- 1) Product number.
(No finish specification required.)

Height	Depth	Width	Number	Price
4" (102mm)	0.68" (17mm)	2" (51mm)	KUAG-0204-PA	\$39.80

This page intentionally left blank.

Beside Pantry Resources

Surfaces Materials

Index

Warranty

Surface Materials

Finish Color Legend

HPL

Grade A

Solid Color

H-34	Beige
H-AK	Chalk
H-8J	Charcoal
H-3J	Graphite
H-62	Gray Tone
H-WL	Linen
H-3P	Platinum
H-AA	Putty
H-3E	Smoke

Patterned

H-P1	Linen Casual
H-P2	Linen Classic
H-P3	Linen Crisp
H-P4	Linen Flax

Wood Grain

H-B06	Brazilwood
H-E79	Colombian Walnut
H-AE	Maple
H-DYP	New Age Oak
H-E15	River Cherry
H-C09	Williamsburg Cherry

Grade B

Premium Wood Grain

H-C8	Blonde Modern Cherry
H-D1	Daintree
H-KP	Field Elm
H-KN	Grey Elm
H-KM	Landmark Wood
H-D2	Mocha Modern Cherry
H-KL	Neo Walnut
H-KR	Phantom Ecrú
H-KS	Phantom Pearl
H-C9	Spiced Modern Cherry

Edgeband

Solid Color

HP-34	Beige
HP-AK	Chalk
HP-8J	Charcoal
HP-3J	Graphite
HP-62	Gray Tone
HP-WL	Linen
HP-3P	Platinum
HP-AA	Putty
HP-3E	Smoke

Patterned Edgeband

HP-P1	Linen Casual
HP-P2	Linen Classic
HP-P3	Linen Crisp
HP-P4	Linen Flax

Wood Grain

HP-C8	Blonde Modern Cherry
HP-B06	Brazilwood
HP-E79	Colombian Walnut
HP-D1	Daintree
HP-KP	Field Elm
HP-KN	Grey Elm
HP-KM	Landmark Wood
HP-AE	Maple
HP-D2	Mocha Modern Cherry
HP-KL	Neo Walnut
HP-DYP	New Age Oak
HP-KR	Phantom Ecrú
HP-KS	Phantom Pearl
HP-E15	River Cherry
HP-C9	Spiced Modern Cherry
HP-C09	Williamsburg Cherry

Ply-Edge

HP-PW	Ply-Edge
-------	----------

Trim

Grade A

Smooth

TR-R	Beige
TR-F	Black
TR-AK	Chalk
TR-K	Charcoal
TR-C1	Cocoa
TR-J	Graphite
TR-G	Gray Tone
TR-AA	Putty
TR-E	Smoke
TR-PLS	Smooth Plaster
TR-FM	Snow

Textured

TR-TG	Grout
TR-TF	Pitch
TR-TW	Plaster

Grade B

Smooth

TR-1C	Accent Blue
TR-1E	Accent Orange
TR-1G	Blue Jay
TR-1R	Brownstone
TR-1N	Night
TR-1Q	Park
TR-RR	Rusty Red
TR-1M	Sable
TR-1J	Sky Blue
TR-1K	Wren

Smooth Metallic

TR-BN	Bronze
TR-DM	Dark Bronze Metallic
TR-BG	Light Bronze
TR-MC	Metallic Champagne
TR-MG	Metallic Gunmetal
TR-LE	Metallic Silver

Textured Metallic

TR-AR	Argent
TR-HE	Hellenic

ALERT: These materials are current, however they are being considered for future obsolescence due to low volume.

HPL

H-AM	Amber Cherry
H-AD	Medium Cherry

Edgeband

HP-AM	Cherry
HP-AD	Medium Cherry

Trim

TR-1F	Accent Red
TR-CTS	Chartreuse
TR-1H	Terra

Index

Products are listed alphabetically in this index by alpha-numeric prefix/suffix codes.

<u>Product Code</u>	<u>Product Description</u>	<u>Page</u>
EUEJ-0036-2	Electrical Components – Jumpers	.16
EURT-00E4-1010	Electrical Components – Bezel Utility Model	.16
KUAG	Electrical Components – Grommet	.17
QAGC	Accessories – Saddle	.13
QALA	Accessories – Upper Slat Rail	.13
QALB	Accessories – Lower Slat Rail	.13
QALD	Accessories – Personal Drawer	.12
QALF	Finished Back	.11
QALH	Accessories – Hanging File Drawer	.12
QALS	Accessories – Adjustable Shelf	.12
QLG1-LLF	Storage Pantry – 40”H and 48”H	.9
QLG1-ZLLF	Storage Pantry – 28”H	.8
ZBBG-0000-PN	Attachment Brackets	.14
ZTBG-0000-PN	Attachment Brackets	.14
ZUBT-0307-PN	Attachment Brackets	.14
ZUBW-0000-PN	Attachment Brackets	.14
ZZBF-1800-PNW	Attachment Brackets – Compose Panel to Pantry Bracket	.15

Product Compatibility and Limited Warranty Policy

Great Expectations

You have them as a Haworth customer and so do we. And because we value our customers, we cover our products with the Haworth North America Product Compatibility and Limited Warranty Policy.

Our Commitment To Product Compatibility – Integrated Product Platforms

As a market leader in the design and manufacture of workspaces that adapt to change, we strive to maintain product compatibility within our various generations of integrated product platforms. This benefits the customer who desires to update or modify their work environment. It also benefits the customer needing to replace a product due to damage or other reasons but which is no longer manufactured or is otherwise unavailable, such as a fabric or finish that is discontinued because of changing market preferences. In both circumstances, we often can provide products with comparable function and performance.

Our Commitment To Product Quality – The Haworth North America Limited Warranty

To ensure customer satisfaction and peace of mind, we stand behind our products with the Haworth North America Limited Warranty. To review the current version of the limited warranty including its terms and conditions, please go to:

www.haworth.com/warranty or contact OneTouch@Haworth.com or 1 877 429 6784.

Warranty Requests or Questions

For questions or service requests pertaining to the Haworth Limited Warranty, please contact your Haworth dealer.

If you are unsure who your dealer is, please contact **OneTouch@Haworth.com or 1 877 429 6784.**

Effective: September 1, 2021

Terms of Sale

The Terms of Sale apply to all products in the North America Price Lists. To review the current version of the North American Terms of Sale, please go to:

www.haworth.com/terms-of-sale or contact OneTouch@Haworth.com or 1 877 429 6784.

Effective: September 2, 2022

HAWORTH

HAWORTH® is a registered trademark of Haworth, Inc.
© Haworth, Inc. All rights reserved. 2026 2.26
haworth.com | 800 344 2600