

# Compose Echo

North America Price List December 2025



# Electronic Update Page – Compose Echo

- The table below lists all of the updates and addendums added to this price list since the original version was created.
- All **Update** pages will replace the existing pages within the document.
- All **New** pages will be placed at the back of the document.

Link	Date	Pages	Description
<a href="#">Click Here</a>	April 2026	13-17	<b>Update</b> – Limited Finish model was discontinued.



**This Haworth North American price book contains US list prices.**

Canadian customers can convert the US list price into their Canadian equivalent by going to [www.Haworth.com/Canada](http://www.Haworth.com/Canada) to find the current Canadian multipliers. These multiplier factors allow you to convert the US list price into a Canadian list price.





**This Page Intentionally Left Blank**

# Compose Echo Price List

Includes pricing, catalog numbers, finish codes/availability, specification requirements, line art, dimensions, and specification tips for Compose Echo.

**Height Adjustable Tables**

**Height Adjustable Table Accessories**

**Tablet Markerboard**

**Legs**

**Brackets**

**Electrical Components**

# Table of Contents

---

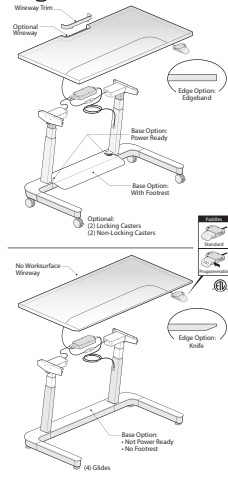
## Price List

<b>Statement of Line</b> .....	7
<b>Height Adjustable Tables</b>	
At-A-Glance .....	10
Catalog Logic .....	13
Rectangular .....	14
Rectangular Radius Corner .....	16
<b>Height Adjustable Table Accessories</b>	
Table Tether .....	18
Table Stop .....	19
Onboard Storage .....	20
Horizontal Wire Management with Modesty or without .....	21
Wire Manager – Vertical Wire Manager .....	22
Wire Manager – Cable Management Hook .....	22
Table Grip .....	23
Worksurface Guard Rail .....	24
Pivoting Tray .....	24
<b>Tablet Markerboard</b>	
Markerboard .....	25
Markerboard Accessories .....	25
Markerboard Rail .....	26
<b>Compose Echo Be_Hold</b>	
Legs – for use with Compose .....	27
Legs – Single, Double or Triple Unit for use with Compose .....	
Connections .....	29
<b>Compose Echo Accessory</b>	
Compose to Storage Bracket - C7 .....	31
<b>Electrical Components</b>	
Belong – Plug Strip .....	32
Belong – Power Suite .....	32
Cord Management Cuff .....	33
Mesh Cord Manager with Cuffs .....	33
<b>Resources</b>	
<b>Fabrics and Finishes</b>	
Finish/Color Legend .....	35
Vertical Fabrics/Color Legend .....	36
Seating Fabrics/Color Legend .....	36
<b>Index</b> .....	37
<b>Warranty</b>	
Lifetime Product Warranty .....	Inside Back Cover

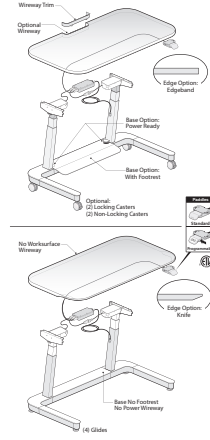
# Statement of Line

## Height Adjustable Table

Pages 14-17



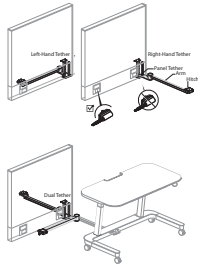
**TFRA**  
**Rectangular**



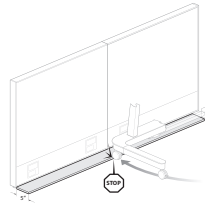
**TFPA**  
**Rectangular Radius Corner**

## Height Adjustable Table Accessories

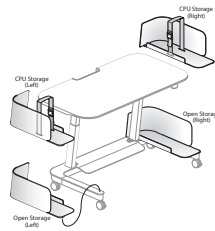
Pages 18-24



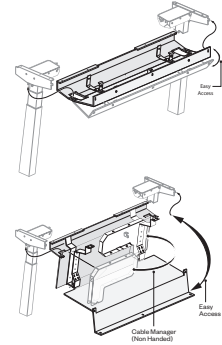
**ATWT**  
**Table Tether**



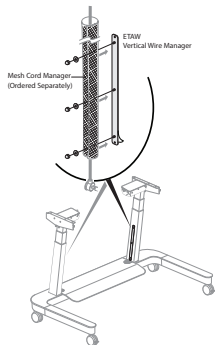
**ATSR**  
**Table Stop**



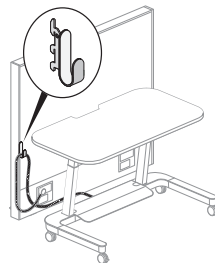
**ATTS**  
**Onboard Storage**



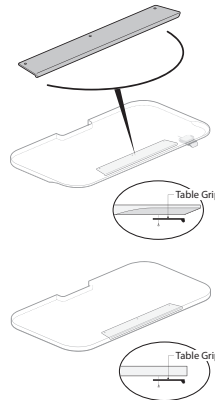
**ATWN**  
**Horizontal Wire Management with Modesty or without**



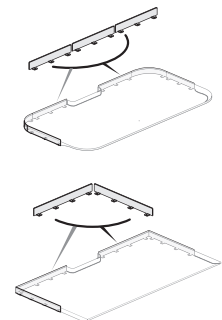
**ETAW**  
**Vertical Wire Manager**



**EZAH-0200-P**  
**Cable Management Hook**



**AUTG**  
**Table Grip**

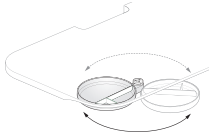


**ATTL**  
**Worksurface Guard Rail**

# Statement of Line

## Height Adjustable Table Accessories

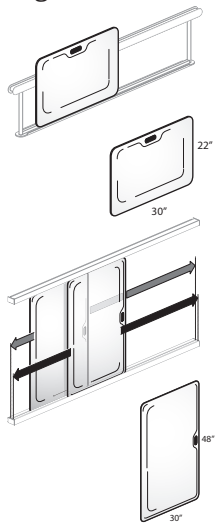
Page 24



ATTR  
Pivoting Tray

## Tablet Markerboard

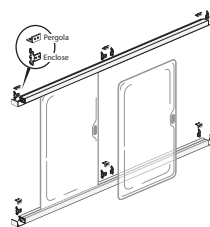
Pages 25-26



ATTM  
Markerboard



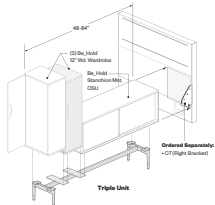
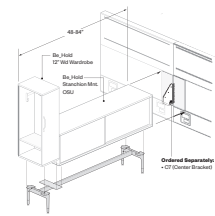
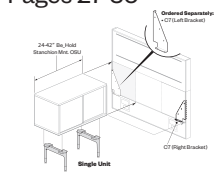
7062-8001, 7031-7022, 7031-7001  
Markerboard Accessories



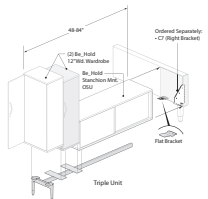
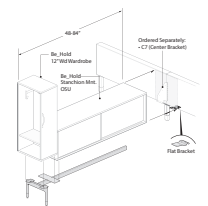
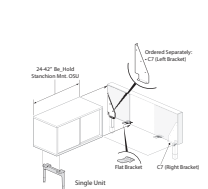
ATMR  
Markerboard Rail

## Compose Echo Be\_Hold

Pages 27-30



BAES  
Legs - for use with Compose

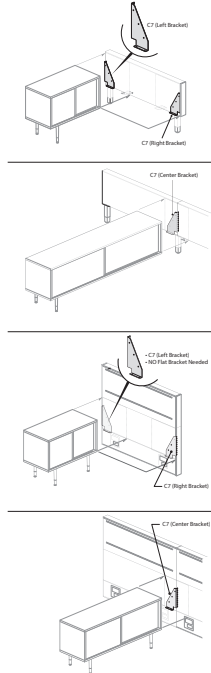


BAES  
Legs - Single, Double or Triple Unit for use with Compose Connections

# Statement of Line

## Compose Echo Accessory

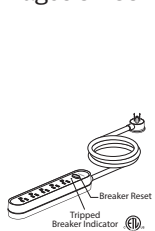
Page 31



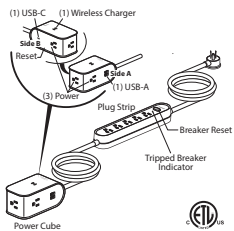
ZZBF  
Compose to Storage Bracket - C7

## Electrical Components

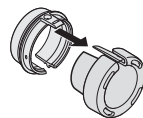
Pages 32-33



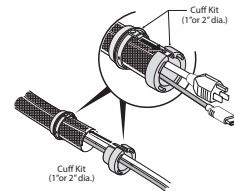
EUR1  
Plug Strip



BUB5  
Power Suite



EUAC  
Cord Management Cuff



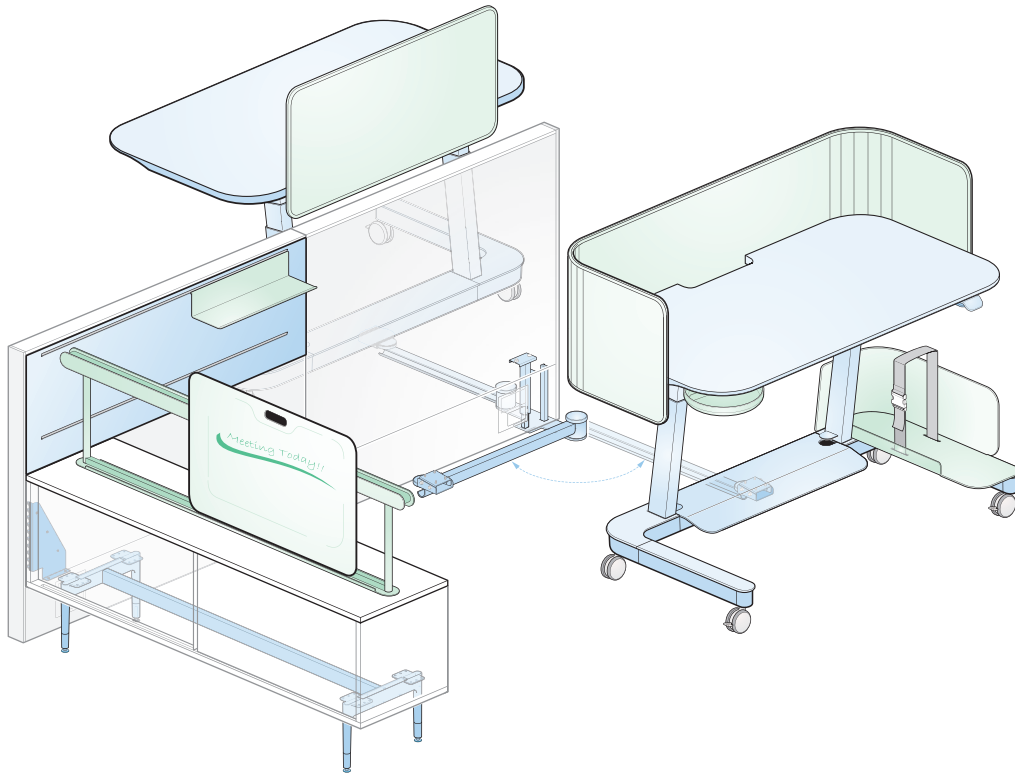
EUAW  
Mesh Cord Manager with Cuffs

# Compose Echo

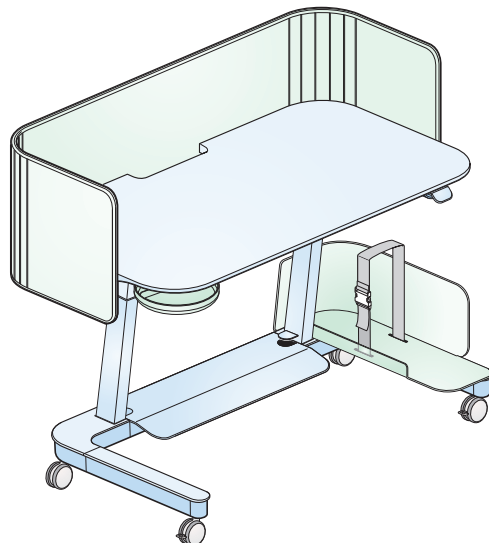
## At-A-Glance

Compose Echo is a scalable workplace system that redefines flexibility, creating dynamic team spaces where both individual and collaborative work happen fluidly. Each element was thoughtfully designed to fit together to maximize space and human performance, with the freedom to easily switch between work modes. Compose Echo moves the way you do, to support a variety of workstyles now and respond to workplace needs of the future.

### Dual Tethered Application

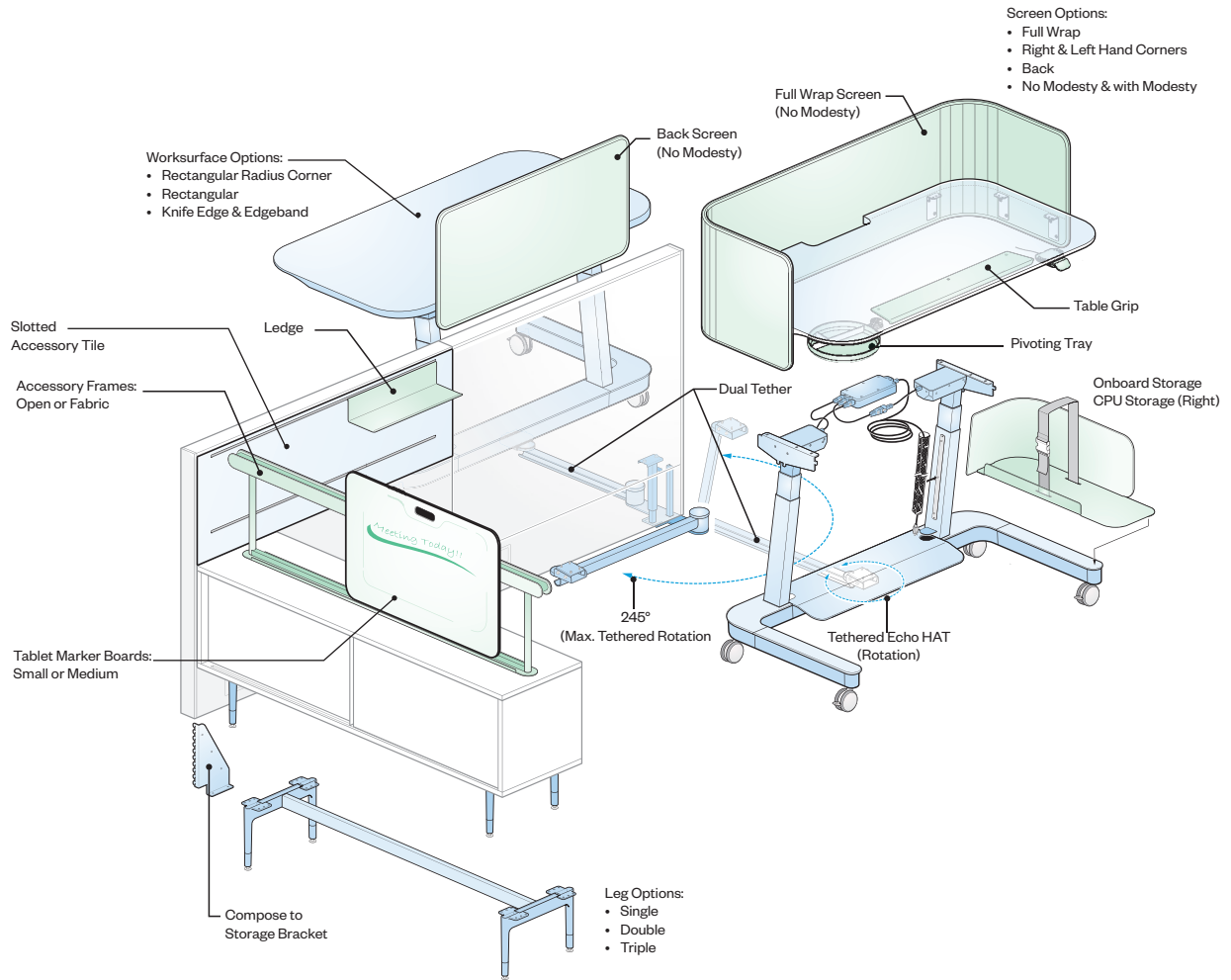


### Freestanding Application



# Compose Echo

## At-A-Glance



# Compose Echo

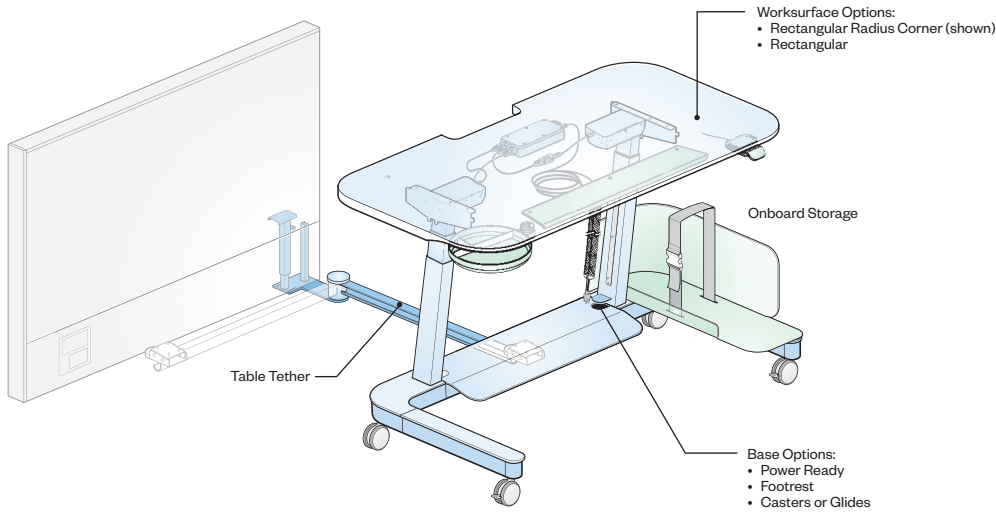
## At-A-Glance

**The Compose Echo Height Adjustable Table offers:**

- Rectangular or Rectangular Radius Corner top shapes with Knife Edge or Edgeband edge options available in high-pressure laminate (HPL) or wood.
- Optional worksurface wireway.
- Optional power ready base.
- Available with glides or casters. Casters are limited on some sizes. Interchangeable when available.
- Optional footrest. Footrest cannot be retrofitted in the field.
- Data/power options with Belong Power Suite or Belong Plug Strip.
- Separately specified tether attachment to a Compose panel.

**Table movement with the Tether:**

- 245° without lockout.
- Lockout stops the arm from moving past 90°. Lockout can be added or removed in the field.

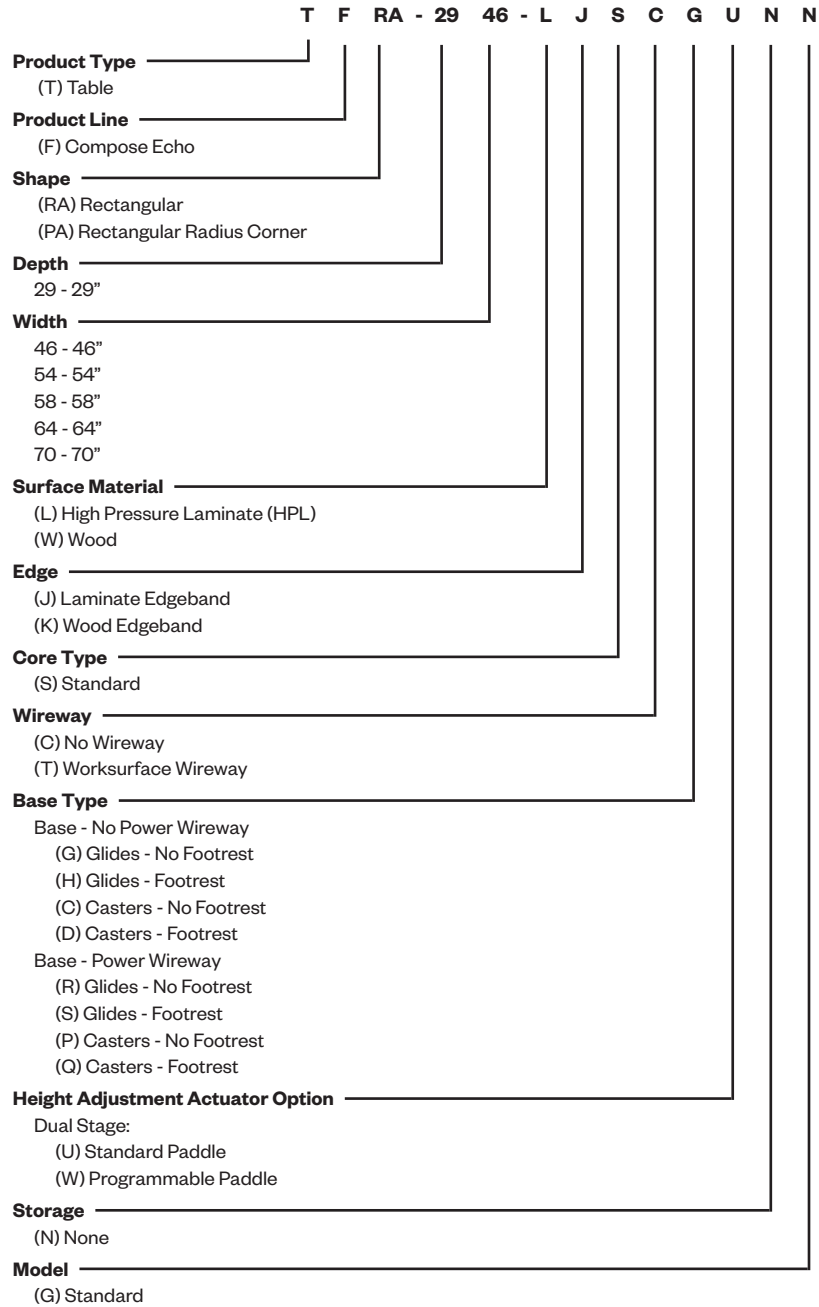


**Additional considerations when planning with Height Adjustable Tables:**

- Ensure perimeter of height adjustable table and attached components when operated are at least 1”(25mm) from adjacent objects.
- Verify table range of motion is free of collision above and below the height adjustable table worksurface.
- Verify building power for table is located within reach of the Height Adjustable Table Cord.

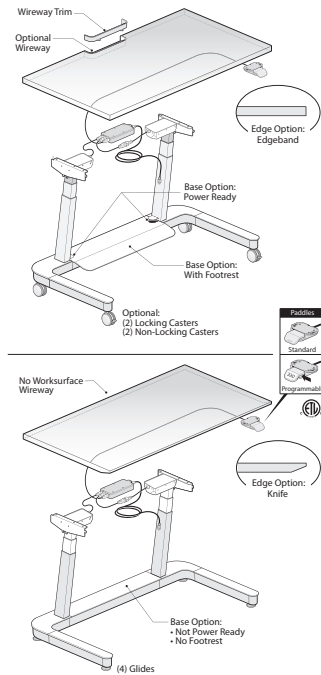
# Compose Height Adjustable Tables

## Catalog Logic



# Height Adjustable Table

## Rectangular



TFRA  
Class TR0

### Features

- Includes 1.18" (30mm) thick top, L-leg telescoping base assembly, standard or programmable paddle, wire management clips, adjustable glides or casters, optional footrest, optional worksurface wireway, and hardware.
- High-Pressure Laminate (HPL) top with knife edge or 3mm edgeband or wood veneer top with 3mm wood edgeband or knife edge. Tops are 3mm on user edge and 1mm on remaining edges.
- Optional wireway along back edge of worksurface is color-matched to solid side/back edge trim. When wood veneer or wood grain or patterned laminate is specified, wireway will be Charcoal. Refer to Specification Guide for wireway details.
- Optional Belong Hatch cutout:
  - Laminate tops only with one cutout.
  - Available on worksurfaces 46" (1168mm), 54" (1372mm), 58" (1473mm), 64" (1626mm) and 70" (1778mm).
  - Requires separately specified Belong Hatch.
  - Refer to Specification Guide for cutout details.
- Electric Height adjustment:
  - 1.4" (36mm) per second.
  - Dual Stage
    - Telescoping columns with 24.3" (617mm) continuous adjustment range.
    - Table height adjusts from 27.5" (699mm) to 52" (1321mm) with casters and 24.6" (625mm) to 48.9" (1242mm) with glides, table height includes 1.18" (30mm) table top.
- Paddle Actuator:
  - Standard paddle with up/down control.
  - Programmable paddle with up/down adjustment control, two memory settings, move reminder and OLED display.
  - Can be mounted on left or right side of table using predrilled holes; standard with black housing.
- Base includes:
  - Control box which contains a built-in-collision detection system using gyro-sensor technology.
  - Two telescoping columns.
- Includes 9' (2743mm) long black cord with NEMA 5-15P plug.
- Glides have 0.625" (16mm) height adjustment and are standard in black.
- 3" (76mm) Casters have two locking and two non-locking. The locking casters are located on the front of the table. Available in light platinum or fog hub with graphite tread, or black hub with black tread.
- Casters available on tables 58" (1473mm)W or smaller. 64" (1626mm) and 70" (1778mm)W tables available with glides only.
- Depth and width shown in nominal dimensions.
- Ships unassembled.

### Specification Tips

- Wireway option is required for routing of wires or mounting of a monitor arm:
  - When using a screen, if screen is mounted flush to the table the wireway is required for routing cords or mounting a monitor arm.
  - When using the Horizontal Wire Management with Modesty or without, the tray sits flush so the wireway is required for routing of cords and mounting monitor arms.
- Designed to be used with Belong Power Suite or Belong Plug Strip.
- Total lifting capacity of table is 250lbs. including surface; applied weight should be evenly distributed.
- Casters and glides are interchangeable.
- Footrest cannot be retrofitted in the field.
- Screen and monitor arm application. See chart on pricing page.
- Separately specified:
  - Table Tether requires UL962A listed plug strip when specified
  - Table Grip
  - Worksurface Guard Rail
  - Pivoting Tray
  - Vertical cord manager
  - Onboard storage
  - Compose Echo back, center and wrap screens.
  - Belong Plus back screen.
  - Horizontal Wire Management with Modesty or without

### To Order, Specify:

- Product number, including:
    - Surface Option:**
      - L** Laminate
      - W** Wood
    - Edge Option:**
      - Laminate:
        - J** Edgeband
        - F** Knife
      - Wood:
        - K** Wood Edgeband
        - U** Knife
    - Wireway/Cutout Option:**
      - C** Without
      - T** Wireway
      - H** Belong Hatch
      - D** Wireway and Belong Hatch
    - Base Option:**
      - Base - No Power Wireway
        - G** Glides - No Footrest
        - H** Glides - Footrest (add **\$311.96** list)
        - C** Casters - No Footrest (add **\$29.43** list)
        - D** Casters - Footrest (add **\$341.39** list)
      - Base - Power Ready
        - R** Glides - No Footrest (add **\$111.83** list)
        - S** Glides - Footrest (add **\$423.79** list)
        - P** Casters - No Footrest (add **\$141.26** list)
        - Q** Casters - Footrest (add **\$453.22** list)
    - Height Adjustment Actuator Option:**
      - Dual Stage:
        - U** Standard
        - W** Programmable (add **\$111.83** list)
  - Laminate surface color or wood finish color.
  - Edgeband trim color (laminate only)
  - Base trim color.
  - Column color.
  - Caster color.
- Note: \$58.86** upcharge list for Metallic and Accent trim colors.

# Height Adjustable Table

## Rectangular

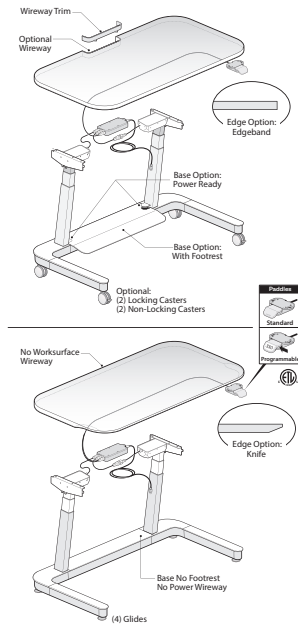
Depth	Width	Top Weight (lbs.)	Number	① ② ③ ④ ⑤	HPL Edgeband (J)			HPL Knife Edge (F)			Wood Edgeband (K)		Wood Knife Edge (U)		
					A	B	E	A	B	E	A	B	A	B	
<b>No Worksurface Wireway</b>															
29"(737mm)	46"(1168mm)	47	TFRA-2946-	SC	NG	\$ 2678.13	\$ 2750.57	\$ 2851.41	\$2948.89	\$ 3021.33	\$ 3122.17	\$ 3149.01	\$ 3177.26	\$ 3243.19	\$ 3271.44
	54"(1372mm)	53	TFRA-2954-	SC	NG	2728.29	2804.65	2916.61	2999.05	3075.41	3187.37	3229.09	3265.74	3323.27	3359.92
	58"(1473mm)	59	TFRA-2958-	SC	NG	2736.89	2815.21	2932.73	3007.65	3085.97	3203.49	3252.65	3293.50	3346.83	3387.68
	64"(1626mm)	65	TFRA-2964-	SC	NG	2749.79	2831.05	2956.91	3020.55	3101.81	3227.67	3287.99	3335.14	3382.17	3429.32
	70"(1778mm)	71	TFRA-2970-	SC	NG	2762.69	2846.89	2981.09	3033.45	3117.65	3251.85	3323.33	3376.78	3417.51	3470.96
<b>With Worksurface Wireway or Belong Hatch or Wireway and Belong Hatch</b>															
29"(737mm)	46"(1168mm)	47	TFRA-2946-	S	NG	\$2695.79	\$ 2768.23	\$2869.07	\$2966.55	\$3038.99	\$ 3139.83	\$ 3166.67	\$ 3194.92	\$3260.85	\$ 3289.10
	54"(1372mm)	53	TFRA-2954-	S	NG	2745.95	2822.31	2934.27	3016.71	3093.07	3205.03	3246.75	3283.40	3340.93	3377.58
	58"(1473mm)	59	TFRA-2958-	S	NG	2754.55	2832.87	2950.39	3025.31	3103.63	3221.15	3270.31	3311.16	3364.49	3405.34
	64"(1626mm)	65	TFRA-2964-	S	NG	2767.45	2848.71	2974.57	3038.21	3119.47	3245.33	3305.65	3352.80	3399.83	3446.98
	70"(1778mm)	71	TFRA-2970-	S	NG	2780.35	2864.55	2998.75	3051.11	3135.31	3269.51	3340.99	3394.44	3435.17	3488.62

Table Depth and Base	Compose Echo Screens (9 lbs)	Compose Echo Screen with Modesty or Tray (12 lbs)	Monitor Arms (45 lbs-Glides) (15 lbs-Casters)
29X46 Glides or Casters	Yes	Yes*	Yes
29X54 Glides or Casters	Yes	Yes	Yes
29X58 Glides or Casters	Yes	Yes	Yes
29X64 Glides only	Yes	Yes	Yes
29X70 Glides only	Yes	Yes	Yes

\* Tray only option.

# Height Adjustable Table

## Rectangular Radius Corner



TFPA  
Class TR0

### Features

- Includes 1.18" (30mm) thick top rectangular worktop, L-leg telescoping base assembly, standard or programmable paddle, wire management clips, adjustable glides or casters, optional footrest, optional work surface wireway, and hardware.
- High-Pressure Laminate (HPL) top with knife edge or 3mm edgeband or wood veneer top with 3mm wood edgeband or knife edge. Tops are 3mm all around.
- When Knife Edge is specified with a Rectangular Radius Top, the Knife Edge will wrap around the radius corners on the user edge.
- Optional wireway along back edge of work surface is color-matched to solid side/back edge trim. When wood veneer or wood grain or patterned laminate is specified, wireway will be Charcoal. Refer to Specification Guide for wireway details.
- Optional Belong Hatch cutout:
  - Laminate tops only with one cutout.
  - Available on work surfaces 46" (1168mm), 54" (1372mm), 58" (1473mm), 64" (1626mm) and 70" (1778mm).
  - Requires separately specified Belong Hatch.
  - Refer to Specification Guide for cutout details.
- Electric Height adjustment:
  - 1.4" (36mm) per second.
  - Dual Stage
    - Telescoping columns with 24.3" (617mm) continuous adjustment range.
    - Table height adjusts from 27.5" (699mm) to 52" (1321mm) with casters and 24.6" (625mm) to 48.9" (1242mm) with glides, table height includes 1.18" (30mm) table top.
- Paddle Actuator:
  - Standard paddle with up/down control.
  - Programmable paddle with up/down adjustment control, two memory settings, move reminder and OLED display.
  - Can be mounted on left or right side of table using predrilled holes; standard with black housing.
- Base includes:
  - Control box which contains a built-in-collision detection system using gyro-sensor technology.
  - Two telescoping columns.
- Includes 9' (2743mm) long black cord with NEMA 5-15P plug.
- Glides have 0.625" (16mm) height adjustment and are standard in black.
- 3" (76mm) Casters have two locking and two non-locking. The locking casters are located on the front of the table. Available in light platinum or fog hub with graphite tread, or black hub with black tread.
- Casters available on tables 58" (1473mm)W or smaller. 64" (1626mm) and 70" (1778mm)W tables available with glides only.
- Depth and width shown in nominal dimensions.
- Ships unassembled.

### Specification Tips

- Wireway option is required for routing of wires or mounting of a monitor arm:
  - When using a screen, if screen is mounted flush to the table, the wireway is required for routing cords or mounting a monitor arm.
  - When using the Horizontal Wire Management with Modesty or without, the tray sits flush so the wireway is required for routing of cords and mounting monitor arms.
- Designed to be used with Belong Power Suite and Belong Plug Strip.
- Total lifting capacity of table is 250lbs. including surface; applied weight should be evenly distributed.
- Casters and glides are interchangeable.
- Footrest cannot be retrofitted in the field.
- Screen and monitor arm application. See chart on pricing page.
- Separately specified:
  - Table Tether requires UL962A listed plug strip when specified
  - Table Grip
  - Work surface Guide Rail
  - Pivoting Tray
  - Vertical and horizontal cord manager
  - Onboard storage
  - Compose Echo back, center and wrap screens.
  - Belong Plus back screen.
  - Horizontal Wire Management with Modesty or without

### To Order, Specify:

- Product number, including:
    - Surface Option:**
      - L** Laminate
      - W** Wood
    - Edge Option:**
      - Laminate:
        - J** Edgeband
        - F** Knife
      - Wood:
        - K** Wood Edgeband
        - U** Knife
    - Wireway/Cutout Option:**
      - C** Without
      - T** Wireway
      - H** Belong Hatch
      - D** Wireway and Belong Hatch
    - Base Option:**
      - Base - No Power Wireway
        - G** Glides - No Footrest
        - H** Glides - Footrest (add **\$311.96** list)
        - C** Casters - No Footrest (add **\$29.43** list)
        - D** Casters - Footrest (add **\$341.39** list)
      - Base - Power Ready Wireway
        - R** Glides - No Footrest (add **\$111.83** list)
        - S** Glides - Footrest (add **\$423.79** list)
        - P** Casters - No Footrest (add **\$141.26** list)
        - Q** Casters - Footrest (add **\$453.22** list)
    - Height Adjustment Actuator Option:**
      - Dual Stage:
        - U** Standard
        - W** Programmable (add **\$111.83** list)
  - Laminate surface color or wood finish color.
  - Edgeband trim color (laminate only)
  - Base trim color.
  - Column color.
  - Caster color.
- Note: \$58.86** upcharge list for Metallic and Accent trim colors.

Compose Echo Price List / December 2025

# Height Adjustable Table

## Rectangular Radius Corner

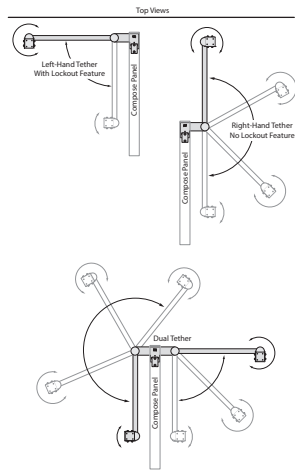
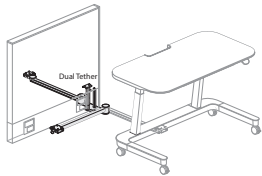
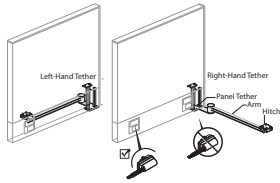
Depth	Width	Top Weight (lbs.)	Number	① ② ③ ④ ⑤	HPL Edgeband (J)			HPL Knife Edge (F)			Wood Edgeband (K)		Wood Knife Edge (U)		
					A	B	E	A	B	E	A	B	A	B	
<b>No Worksurface Wireway</b>															
29"(737mm)	46"(1168mm)	47	TFPA-2946-	SC	NG	\$2789.96	\$2862.40	\$2963.24	\$3060.72	\$3133.16	\$3234.00	\$3260.84	\$3289.09	\$3355.02	\$3383.27
	54"(1372mm)	53	TFPA-2954-	SC	NG	2840.12	2916.48	3028.44	3110.88	3187.24	3299.20	3340.92	3377.57	3435.10	3471.75
	58"(1473mm)	59	TFPA-2958-	SC	NG	2848.72	2927.04	3044.56	3119.48	3197.80	3315.32	3364.48	3405.33	3458.66	3499.51
	64"(1626mm)	65	TFPA-2964-	SC	NG	2861.62	2942.88	3068.74	3132.38	3213.64	3339.50	3399.82	3446.97	3494.00	3541.15
	70"(1778mm)	71	TFPA-2970-	SC	NG	2874.52	2958.72	3092.92	3145.28	3229.48	3363.68	3435.16	3488.61	3529.34	3582.79
<b>With Worksurface Wireway or Belong Hatch or Wireway and Belong Hatch</b>															
29"(737mm)	46"(1168mm)	47	TFPA-2946-	S	NG	\$2807.62	\$2880.06	\$2980.90	\$3078.38	\$3150.82	\$3251.66	\$3278.50	\$3306.75	\$3372.68	\$3400.93
	54"(1372mm)	53	TFPA-2954-	S	NG	2857.78	2934.14	3046.10	3128.54	3204.90	3316.86	3358.58	3395.23	3452.76	3489.41
	58"(1473mm)	59	TFPA-2958-	S	NG	2866.38	2944.70	3062.22	3137.14	3215.46	3332.98	3382.14	3422.99	3476.32	3517.17
	64"(1626mm)	65	TFPA-2964-	S	NG	2879.28	2960.54	3086.40	3150.04	3231.30	3357.16	3417.48	3464.63	3511.66	3558.81
	70"(1778mm)	71	TFPA-2970-	S	NG	2892.18	2976.38	3110.58	3162.94	3247.14	3381.34	3452.82	3506.27	3547.00	3600.45

Table Depth and Base	Compose Echo Screens (9 lbs)	Compose Echo Screen with Modesty or Tray (12 lbs)	Monitor Arms (45 lbs-Glides) (15 lbs-Casters)
29X46 Glides or Casters	Yes	Yes*	Yes
29X54 Glides or Casters	Yes	Yes	Yes
29X58 Glides or Casters	Yes	Yes	Yes
29X64 Glides only	Yes	Yes	Yes
29X70 Glides only	Yes	Yes	Yes

\* Tray only option.

# Height Adjustable Table Accessories

## Table Tether



ATWT  
Class TR0

### Features

- Includes arm, attachment hardware, hitch, panel foot with pivot and optional lockout feature.
- Accommodates one power cord and up to two data cords.
- Orientation options: Left-hand, right-hand or dual panel foot with pivot.

### Specification Tips

- Use of the Table Tether requires a Belong Power Plug Strip, Belong Power Suite or other UL 962A listed plug strip.
- Table Tether is for use on 46"(1168mm), 54"(1372mm) and 58"(1473mm)W height adjustable tables on casters only.
- Table Tether is designed for use with power ready height adjustable table on casters and wire management (horizontal and vertical).
- Provides clean cable management and keeps the table in a controlled footprint.
- A single sided Table Tether foot extends 6.5"(165mm) out perpendicular to the panel. A dual Table Tether foot extends 6.5"(165mm) on each side of the panel.
- Lockout stops the arm from moving past 90 degrees. Lockout can be added or removed in the field. Refer to specification guide to see full table travel range.
- Table Tether is for use with 30"(762mm) - 72"(1829mm) unloaded Compose Full Panel Frame only.
- A base feed may not be used on the same end of a panel as the attachment location of the tether foot.
- Not for use with Compose Glass Panel, Compose Open Base, Compose Connections, or Compose Beam.
- Refer to Specification Guide for application guidelines.
- Separately specify:
  - 1"(25mm) Mesh cord manager
  - Compose Echo Height Adjustable Table
  - Table Stop
  - Arm to Table Mesh Cord Manager

### To Order, Specify:

1) Product number, including:

**1 Orientation:**

- L** Left-hand
- R** Right-hand
- D** Dual (add **\$298.55** list)

**2 Lockout Feature:**

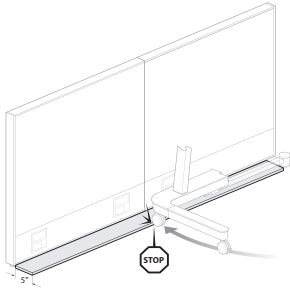
- N** No lockout
- L** Lockout

2) Trim color.

Depth	Width	Number <b>1 2</b>	Trim	
			A	B
2"(51mm)	46"(1168mm)	ATWT-0246-Z <span style="color: #ccc;">■ ■</span>	\$559.93	\$ 589.91
	54"(1372mm)	ATWT-0254-Z <span style="color: #ccc;">■ ■</span>	571.98	601.96
	58"(1473mm)	ATWT-0258-Z <span style="color: #ccc;">■ ■</span>	577.94	607.92

# Height Adjustable Table Accessories

## Table Stop



ATSR  
Class TRO

### Features

- Includes one painted table stop, mounting brackets and hardware.
- Intended to create a physical barrier to prevent the table from connecting with panel.
- Non-handed.

### Specification Tips

- Cannot be used without Tether.
- Table Stop attaches to the Tether and the panel. 5"(127mm) of the Tether extends out perpendicular to the table stop.
- Specify to match panel width or span 2 panels less 2.75"(70mm) for the tether foot.
- Table Stop widths of 48"(1219mm), 54"(1372mm), 60"(1524mm), 84"(2134mm), 90"(2286mm) and 96"(2438mm) are not for use with casegoods.
- Applications for panels and storage with panel runs 84"(2134mm), 90"(2286mm) and 96"(2438mm) long and storage 16"(406mm) or 18"(457mm) deep (See For Use With column).
- When used in conjunction with an 18"(457mm) or 24"(610mm) panel, the 24"(610mm) panel must be next to the spine and not at the end of a run.
- Does not interfere with the use of a base feed.
- Not for use with Compose Glass Panel, Compose Open Base, Compose Connections, or Compose Beam.
- Refer to Specification Guide for application guidelines.
- Separately specify:
  - Compose Echo Height Adjustable Table
  - Compose Echo Tether

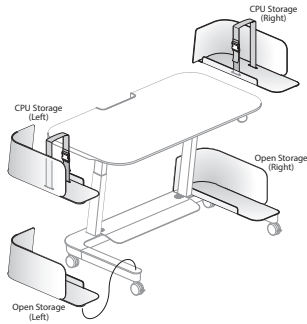
### To Order, Specify:

- 1) Product number.
- 2) Trim color.

Depth	Height	Width	For Use With	Number	Trim	
					A	B
5"(127mm)	0.05"(1mm)	48"(1219mm)	Panels Only	ATSR-0548-P1Z	\$209.83	\$ 218.22
		54"(1372mm)	Panels Only	ATSR-0554-P1Z	260.17	270.36
		60"(1524mm)	Panels Only	ATSR-0560-P1Z	310.51	322.50
		66"(1676mm)	Panels or Panels and 18"(457mm)D Storage	ATSR-0566-P1Z	360.85	374.64
		68"(1727mm)	16"(406mm)D Storage	ATSR-0568-P1Z	377.63	392.02
		72"(1829mm)	Panels and 18"(457mm)D Storage	ATSR-0572-P1Z	411.19	426.78
		74"(1880mm)	16"(406mm)D Storage	ATSR-0574-P1Z	427.97	444.16
		78"(1981mm)	Panels or Panels and 18"(457mm)D Storage	ATSR-0578-P1Z	461.53	478.92
		80"(2032mm)	16"(406mm)D Storage	ATSR-0580-P1Z	478.31	496.30
		84"(2134mm)	Panels	ATSR-0584-P1Z	511.87	531.06
		90"(2286mm)	Panels	ATSR-0590-P1Z	562.21	583.20
		96"(2438mm)	Panels	ATSR-0596-P1Z	612.55	635.34

# Height Adjustable Table Accessories

## Onboard Storage



ATTS  
Class TR0

### Features

- Includes one CPU storage with strap or an Open Storage unit and attachment material.
- Unit mounts at fixed position on the base.
- Strap is standard in black.

### Specification Tips

- Designed for the Compose Echo Height Adjustable Table only.
- Compose Echo Height Adjustable Table is designed to be used with one or two units. One on each side.
  - Ensure connections between monitor and CPU are the appropriate length to accommodate height adjustable table travel.
  - CPU holder and Open Storage weight limit 60lbs.
  - Can be retrofitted in the field.
- Onboard Storage is not for use with:
  - Back Screen with modesty.
  - Full Wrap Screen with modesty for Rectangular or Rectangular Radius Corner.
- Compose Echo Corner Screen with Modesty for Rectangular and Rectangular Radius Corner are compatible with Onboard Storage when:
  - The screen is specified to match table size on 46"(1168mm), 54"(1372mm), and 58"(1473mm)W tables.
  - When the screen is mounted opposite the Onboard Storage on the table.
- Separately specify:
  - Compose Echo Height Adjustable Table

**NOTE:** Compose Echo screens without modesty are compatible with the Onboard Storage.

### To Order, Specify:

1) Product number, including:

**1 Orientation:**

**L** Left-hand

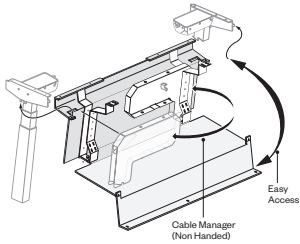
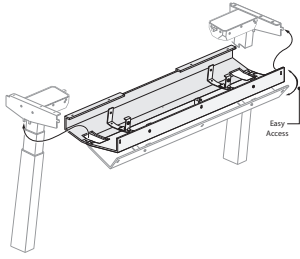
**R** Right-hand

2) Trim color.

Description	Height	Width	Number <b>1</b>	Trim	
				A	B
CPU Storage	9.75"(248mm)	11"(279mm)	ATTS-1011-PC <b>T</b>	\$ 371.69	\$395.67
Open Storage	9.75"(248mm)	11"(279mm)	ATTS-1011-PO <b>T</b>	299.75	323.73

# Height Adjustable Table Accessories

## Horizontal Wire Management with Modesty or without



ATWN  
Class TR0

### Features

- Includes one PET (Polyethylene Terephthalate) cable manager and attachment hardware.
- Accommodates one power cord and up to two data cords.
- Available in three colors: Dusk, Flint, and Mink.
- Access via hinge on user side without tools.
- Cable manager:
  - Modesty includes cable track and tray
  - No Modesty includes tray
- Ships unassembled.

### Specification Tips

- **For use with Compose Echo table only. For a PET wire management without modesty refer to Belong Horizontal Wire Manager (AKWN).**
- A Furniture Power Distribution Unit UL962A listed with a minimum 9’(2743mm) cord must be installed in the bottom of the modesty in order to use the cable manager modesty with a Compose Echo Tether. The Belong Power Suite is recommended but not required.
- Modesty is designed for use on Compose Echo tables specified with a worksurface wireway.
- When using with Belong Hatch:
  - No Modesty - workspace wireway can only be used with grommet mount only monitor arm and needs to be offset.
  - Modesty - worksurface wireway can be used with grommet or low-profile monitor arm but still has to be offset.
- A separately specified Vertical Wire Manager (ETAW-1000-PT) is required when using the Horizontal Wire Management Modesty Panel on Compose Echo tables.
- Use a low profile monitor arm bracket clearance with the tray.
- Refer to the Specification Guide for additional details.
- Application may require approval of local authority having jurisdiction (AHJ); ensure compliance before placing orders and installation.
- Separately specify:
  - Compose Echo Height Adjustable Table
  - Vertical Wire Manager (required)
  - Mesh Cord Manager

### To Order, Specify:

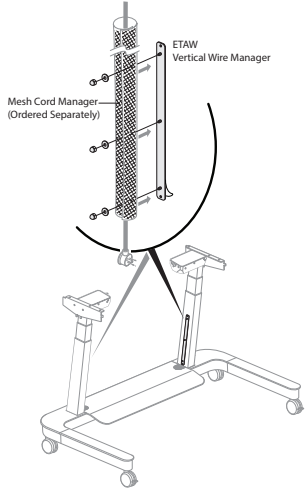
- 1) Product number.
- 2) PET color.
  - PET-C1 Dusk
  - PET-C2 Flint
  - PET-C4 Mink

Depth	Width	Number	Price
<b>No Modesty</b>			
12”(305mm)	46”(1168mm)	ATWN-1246-ETN	\$ 311.74
	54”(1372mm)	ATWN-1254-ETN	323.73
<b>Modesty</b>			
12”(305mm)	54”(1372mm)	ATWM-1254-ETNM	\$708.46

# Height Adjustable Table Accessories

## Wire Manager

### Vertical Wire Manager



ETAW  
Class TRO

#### Features

- Includes one painted metal 13”(330mm) cord manager and attachment material.
- Cord manager can be mounted on the leg of a Compose Echo Table.
- Field installed.

#### Specification Tips

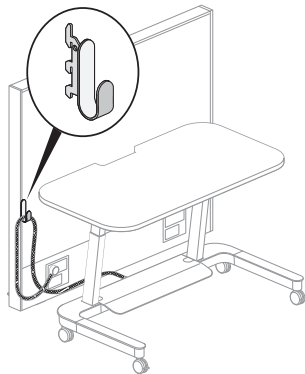
- Designed to be used with the 1”(25mm) Mesh Cord Wire Manager.
- Vertical Wire Manager is required when using the Horizontal Wire Management Modesty Panel on Compose Echo tables.
- Mounts to lower section of a table leg.
- Designed to be used with separately specified Compose Echo Tables, Belong Power Strip, Belong Suite or Horizontal Wire Management Modesty Panel or Tray.

#### To Order, Specify:

- 1) Product number.
- 2) Trim color.

Length	Number	Trim	
		A	B
13”(330mm)	ETAW-1000-PT	\$153.74	\$159.74

### Cable Management Hook



EZAH-0200-P  
Class TRO

#### Features

- Includes five hooks.
- Mounts in the standard Compose panel slots.
- Field installed.

#### Specification Tips

- Designed to be used with the 1”(25mm) Mesh Cord Wire Manager.
- Specify for cord management as needed.
- Two hooks cannot share the same location on the Compose panel slots.

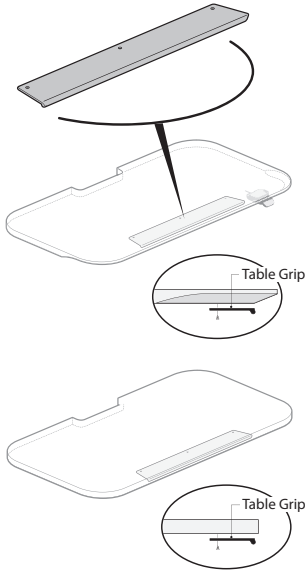
#### To Order, Specify:

- 1) Product number.
- 2) Trim color.

Number	Trim	
	A	B
EZAH-0200-P	\$339.75	\$345.36

# Height Adjustable Table Accessories

## Table Grip



**Features**

- Includes one 0.5”(13mm)H painted metal grip and attachment hardware.
- Mounted under the table to aid in mobility of the table.
- Field installed.

**Specification Tips**

- Recommended for use with knife edge. May be used with 3mm edge profiles.
- Designed to be used with any tables with casters.

**To Order, Specify:**

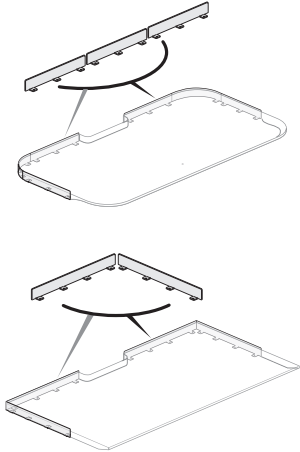
- 1) Product number.
- 2) Trim color.

AUTG  
Class TRO

Application	Height	Grip Width	Table Width	Number	Trim A	B
For use with 46”(1168mm)W Table	0.5”(13mm)	19.5”(495mm)	46”(1168mm)	AUTG-0146-P	\$ 98.51	\$102.53
For use with 54”(1372mm)W Table		27.5”(699mm)	54”(1372mm)	AUTG-0154-P	107.15	112.13
For use with 58”(1473mm)W Table		31.5”(800mm)	58”(1473mm)	AUTG-0158-P	111.47	116.93

# Height Adjustable Table Accessories

## Worksurface Guard Rail



ATTL  
Class TR0

### Features

- Includes one 0.375"(10mm)H painted multi-piece metal rail and attachment hardware.
- Prevents objects from rolling off of worksurface.
- Field installed.

### Specification Tips

- Recommended for use with tables without screens, with back screens, with corner but not for use with full wrap screens.
- Designed to be used with Compose Echo height adjustable tables, Upside height adjustable tables, Planes and Planes Value height adjustable tables and Adaptable Worksurfaces without notches.
- Worksurface Guard Rail interferes with monitor arm installation and surface mounted power. Specify table with cutout for monitor arm and surface mounted power installation.

### To Order, Specify:

1) Product number.

#### 1 Wireway Option:

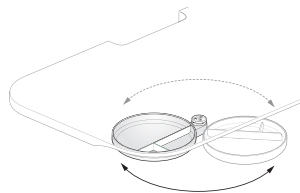
**C** No Wireway

**T** Wireway (add **\$35.97** list)

2) Trim color.

Height	Width	Number <sup>1</sup>	Trim	
			A	B
<b>Rectangular</b>				
0.375"(10mm)	46"(1168mm)	ATTL-0246-PR <input type="checkbox"/>	\$ 143.88	\$ 155.87
	54"(1372mm)	ATTL-0254-PR <input type="checkbox"/>	150.12	162.11
	58"(1473mm)	ATTL-0258-PR <input type="checkbox"/>	153.24	165.23
	64"(1626mm)	ATTL-0264-PR <input type="checkbox"/>	157.92	169.91
	70"(1778mm)	ATTL-0270-PR <input type="checkbox"/>	162.60	174.59
<b>Rectangular Radius Corner</b>				
0.375"(10mm)	46"(1168mm)	ATTL-0246-PP <input type="checkbox"/>	\$209.83	\$ 221.82
	54"(1372mm)	ATTL-0254-PP <input type="checkbox"/>	216.07	228.06
	58"(1473mm)	ATTL-0258-PP <input type="checkbox"/>	219.19	231.18
	64"(1626mm)	ATTL-0264-PP <input type="checkbox"/>	223.87	235.86
	70"(1778mm)	ATTL-0270-PP <input type="checkbox"/>	228.55	240.54

## Pivoting Tray



ATTR  
Class TR0

### Features

- Includes one round plastic tray and mounting hardware.
- Available in Brownstone and Smooth Plaster.
- Mounts to laminate or veneer surfaces 0.75"(19mm) or thicker.
- Tray is 13"(330mm) in Diameter.

### Specification Tips

- Will mount underneath worksurface and pivot out.
- Can be used with the Table Grip.
- Must be mounted on the opposite side of the controller.
- Part is non-handed.
- Max weight 5lbs.
- Refer to Specification Guide for application guidelines.

### To Order, Specify:

1) Product number.

2) Trim color.

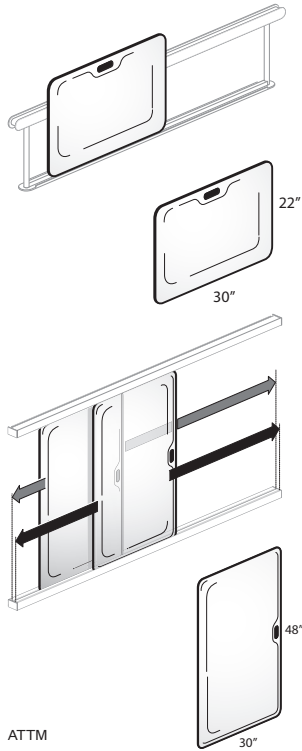
TR-1R Brownstone

TR-PLS Smooth Plaster

Number	Trim	
	A	B
ATTR-1301-L	\$107.91	\$113.91

# Tablet Markerboard

## Markerboard



ATTM  
Class TR0

### Features

- Includes one markerboard with handle.
- Designed to be lightweight and portable.
- Small Markerboard (22\"(559mm) x 30\"(762mm)) includes embedded magnets which can be used to secure the board to a separately specified Accessory Frame.
- Medium Markerboard (30\"(762mm) x 48\"(1219mm)) does not include embedded magnets and is designed for use with the separately specified Markerboard Rail.
- Markerboard surface is not magnetic.

### Specification Tips

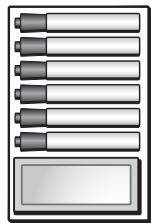
- Embedded magnets can be harmful to those with medical implants.
- Designed with handles for safe and secure transport.
- **The following products are recommended to maintain the markerboard appearance:**
  - Dry erase marker kit (includes holder, six markers and eraser), order part# 7062-8001.
  - Markerboard cleaner and conditioner, order part# 7031-7001.
  - Markerboard spray cleaner, order part# 7031-7002.
- Not recommended for areas exposed to high temperatures or exterior use.

### To Order, Specify:

- 1) Product number.

Description	Height	Width	Weight	Number	Price
<b>Handle</b>					
Small Markerboard (Compose Echo)	22\"(559mm)	30\"(762mm)	4 lbs.	ATTM-2230-NH	\$383.68
Medium Markerboard (Collaborate)	30\"(762mm)	48\"(1219mm)	9 lbs.	ATTM-3048-NH	491.82

## Markerboard Accessories



7062-8001



7031-7002



7031-7001  
Class YA

### Feature

- Recommended dry erase marker products to maintain, clean & condition markerboards.

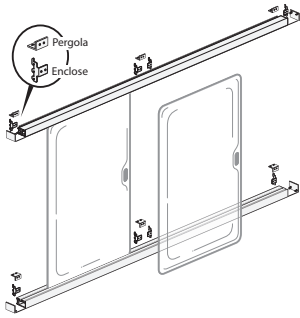
### To Order, Specify:

- 1) Product number.  
(no finish specification required.)

Description	Number	Price
Dry Erase Marker Kit (holder, six markers and eraser)	7062-8001	\$ 220.31
Cleaner and Conditioner	7031-7001	263.03
Spray Cleaner	7031-7002	80.29

# Tablet Markerboard

## Markerboard Rail



ATMR  
Class TR0

### Features

- Includes painted metal top and bottom rails and end caps.
- Enclose and Pergola Mount include attachment hardware.
- Wall Mounting hardware is field supplied.
- Rails can be field cut to desired width.

### Specification Tips

- Designed to be used with Medium Markerboard (30"(762mm) x 48"(1219mm)) in an upright/portrait orientation.
- Each Rail includes a front and back channel, allowing (2) markerboards to bypass each other.
- The 96"(2438mm) wide rails can accommodate a maximum of (4) Medium Markerboards (30"(762mm) x 48"(1219mm)).
  - (2) Medium Markerboards in the front channel.
  - (2) Medium Markerboards in the rear channel.
- Rail support rules by application:
  - Enclose Mount:
    - Not more than 24"(610mm) of top/bottom rail overhang past the outer brackets.
  - Pergola Mount:
    - Requires Pergola Horizontal Tile at Seated Height for application.
    - Not more than 8"(203mm) top/bottom rail overhang past the outer brackets.
  - Wall Mount:
    - Not more than 16"(406mm) of top/bottom rail overhang past the outer attachment points.
- Enclose and Pergola require three points of attachment per mounting rail. Maximum Enclose panel width between brackets is 48"(1219mm).
- Wall Mount requires one rail attachment point every 16"(406mm)-18"(457mm).
- Can be used with Belong Tool Cup to manage markers.

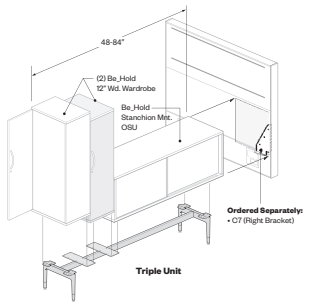
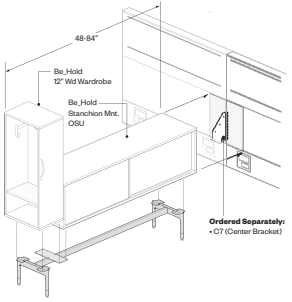
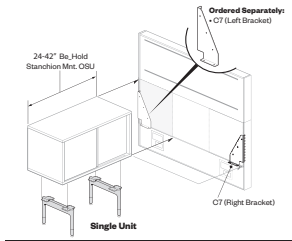
### To Order, Specify:

- 1) Product number.
- 2) Trim color.

Description	Width	Number	Trim	
			A	B
Enclose Mount	96"(2438mm)	ATMR-0096-PEN	\$ 967.45	\$ 973.57
Pergola Mount		ATMR-0096-PPN	1004.19	1010.31
Wall Mount		ATMR-0096-PWN	893.97	900.09

# Compose Echo Be\_Hold

## Legs – for use with Compose



BAES  
Class TRO

### Features

- Includes one steel leg kit:
  - 24"(610mm)W Single - includes two leg assembly with glides and extension glides
  - 48"(1219mm)-84"(2134mm)W Double - includes two leg assemblies with glides, extension glides, one tie plate, light block, one stretcher bar
  - 48"(1219mm)-84"(2134mm)W Triple - includes two leg assemblies with glides, extension glides, two tie plates, light block, one stretcher bar
- Glides have 2"(51mm) leveling adjustment.
- Extension glides have 1"(25mm) glide adjustment.
- Legs are field installed.
- Depth and width shown in nominal dimensions.

### Specification Tips

- Not for use Compose glass panels, Compose panels with an open base, Compose Connections, or Compose Beam.
- Must be used in conjunction with Compose to Storage Bracket - C7.
- Compose to Storage Bracket - C7 attaches mid-mount, left-hand or right-hand.
- Designed to support (see chart below):
  - 16"(406mm)H Be\_Hold Stanchion Mounted OSU
  - 16"(406mm)H Be\_Hold Stanchion Mounted OSU and 12"(305mm)W x 16"(406mm)D Be\_Hold Single Hinged Door Wardrobe (maximum height 59"(1499mm)).
  - 16"(406mm)H Be\_Hold Stanchion Mounted OSU and two 12"(305mm)W x 16"(406mm)D Be\_Hold Single Hinged Door Wardrobe.
- Legs cannot be used with Be\_Hold Be.
- Heights will not align with other storage.
- Refer to Specification Guide for application guidelines.
- Separately specify:
  - Be\_Hold OSU and Single Hinged Door Wardrobe
  - Compose to Storage Bracket - C7

### To Order, Specify:

- 1) Product number.
- 2) Trim color for leg assembly and flat plate.

# Compose Echo Be\_Hold

## Legs – for use with Compose

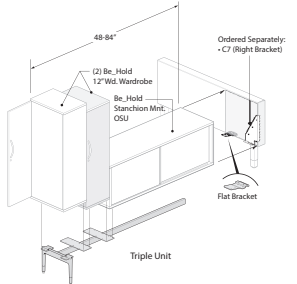
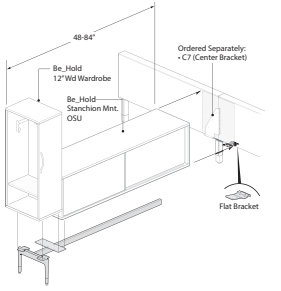
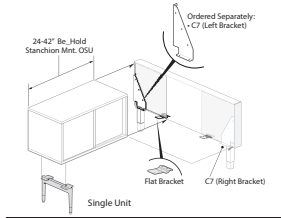
Depth	Width	Number	Trim	
			A	B
<b>For use with a Single Unit</b>				
16"(406mm)	24"(610mm)	BAES-1624-S1NNZR	\$ 513.07	\$ 519.89
<b>For use with a Double Unit</b>				
16"(406mm)	48"(1219mm)	BAES-1648-S2NNZR	\$652.06	\$659.48
	54"(1372mm)	BAES-1654-S2NNZR	665.62	673.34
	60"(1524mm)	BAES-1660-S2NNZR	679.18	687.20
	66"(1676mm)	BAES-1666-S2NNZR	692.74	701.06
	72"(1829mm)	BAES-1672-S2NNZR	706.30	714.92
	78"(1981mm)	BAES-1678-S2NNZR	719.86	729.08
	84"(2134mm)	BAES-1684-S2NNZR	733.42	742.94
<b>For use with a Triple Unit</b>				
16"(406mm)	48"(1219mm)	BAES-1648-S3NNZR	\$ 687.28	\$694.70
	54"(1372mm)	BAES-1654-S3NNZR	700.84	708.56
	60"(1524mm)	BAES-1660-S3NNZR	714.40	722.42
	66"(1676mm)	BAES-1666-S3NNZR	727.96	736.28
	72"(1829mm)	BAES-1672-S3NNZR	741.52	750.14
	78"(1981mm)	BAES-1678-S3NNZR	755.08	764.30
	84"(2134mm)	BAES-1684-S3NNZR	768.64	778.16

Description	Leg Width	OSU Width	Wardrobe-1	Wardrobe-2
Single Unit*	24"(610mm)	24"(610mm)-42"(1067mm)	NA	NA
Double Unit	48"(1219mm)	36"(914mm)	12"(305mm)	NA
	54"(1372mm)	42"(1067mm)	12"(305mm)	NA
	60"(1524mm)	48"(1219mm)	12"(305mm)	NA
	66"(1676mm)	54"(1372mm)	12"(305mm)	NA
	72"(1829mm)	60"(1524mm)	12"(305mm)	NA
	78"(1981mm)	66"(1676mm)	12"(305mm)	NA
	84"(2134mm)	72"(1829mm)	12"(305mm)	NA
	Triple Unit	48"(1219mm)	24"(610mm)	12"(305mm)
54"(1372mm)		30"(762mm)	12"(305mm)	12"(305mm)
60"(1524mm)		36"(914mm)	12"(305mm)	12"(305mm)
66"(1676mm)		42"(1067mm)	12"(305mm)	12"(305mm)
72"(1829mm)		48"(1219mm)	12"(305mm)	12"(305mm)
78"(1981mm)		54"(1372mm)	12"(305mm)	12"(305mm)
84"(2134mm)		60"(1524mm)	12"(305mm)	12"(305mm)

\*Single Unit - Compose Echo Legs is for use with : 24"-42"W Be\_Hold Storage Units (the OSU must be specified with the (S) Stanchion Mounting Option).

# Compose Echo Be\_Hold

## Legs – Single, Double or Triple Unit for use with Compose Connections



BAES  
Class TRO

### Features

- Includes one steel leg kit:
  - 24”(610mm)W Single - includes two leg assembly with glides, extension glides and one flat plate.
  - 48”(1219mm)-84”(2134mm)W Double - includes one leg assembly with glides, extension glides, one flat plate, two tie plates, light block, and one stretcher bar.
  - 72”(1829mm)-84”(2134mm)W Triple - includes one leg assembly with glides, extension glides, one flat plate, three tie plates, light block, and one stretcher bar.
- Glides have 2”(51mm) leveling adjustment.
- Extension glides have 1”(25mm) glide adjustment.
- Legs are field installed.
- Depth and width shown in nominal dimensions.

### Specification Tips

- Not for use with Compose Connections tile to floor application, Compose glass panels, Compose panels with an open base, or Compose Beam.
- Flat plate (included with the leg assembly) acts as an anti-dislodgement device.
- Must be used in conjunction with Compose to Storage Bracket - C7.
- Compose to Storage Bracket - C7 attaches mid-mount, left-hand or right-hand.
- Designed to support (see chart below):
  - 16”(406mm)H Be\_Hold Stanchion Mounted OSU
  - 16”(406mm)H Be\_Hold Stanchion Mounted OSU and 12”(305mm)W x 16”(406mm)D Be\_Hold Single Hinged Door Wardrobe (maximum height 59”(1499mm)).
  - 16”(406mm)H Be\_Hold Stanchion Mounted OSU and two 12”(305mm)W x 16”(406mm)D Be\_Hold Single Hinged Door Wardrobe.
- Legs cannot be used with Be\_Hold Be.
- Heights will not align with other storage.
- Refer to Specification Guide for application guidelines.
- Separately specify:
  - Be\_Hold OSU
  - Be\_Hold Single Hinged Door Wardrobe
  - Compose to Storage Bracket - C7

### To Order, Specify:

- 1) Product number.
- 2) Trim color for leg assembly and flat plate.

# Compose Echo Be\_Hold

## Legs – Single, Double or Triple Unit for use with Compose Connections

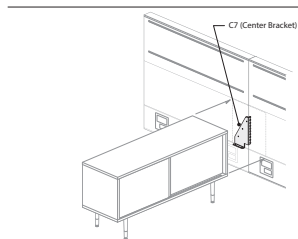
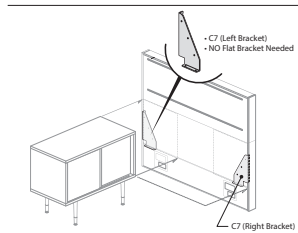
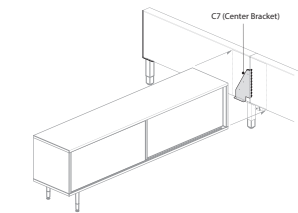
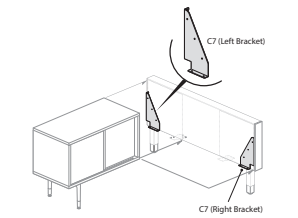
Depth	Width	Number	Trim	
			A	B
<b>For use with a Single Unit</b>				
16"(406mm)	24"(610mm)	BAES-1624-S1NNGR	\$362.92	\$369.74
<b>For use with a Double Unit</b>				
16"(406mm)	48"(1219mm)	BAES-1648-S2NNGR	\$501.91	\$509.33
	54"(1372mm)	BAES-1654-S2NNGR	515.47	523.19
	60"(1524mm)	BAES-1660-S2NNGR	529.03	537.05
	66"(1676mm)	BAES-1666-S2NNGR	542.59	550.91
	72"(1829mm)	BAES-1672-S2NNGR	556.15	564.77
	78"(1981mm)	BAES-1678-S2NNGR	569.71	578.93
	84"(2134mm)	BAES-1684-S2NNGR	583.27	592.79
<b>For use with a Triple Unit</b>				
16"(406mm)	72"(1829mm)	BAES-1672-S3NNGR	\$591.37	\$599.99
	78"(1981mm)	BAES-1678-S3NNGR	604.93	614.15
	84"(2134mm)	BAES-1684-S3NNGR	618.49	628.01

Description	Leg Width	OSU Width	Wardrobe-1	Wardrobe-2
Single Unit	24"(610mm)	24"(610mm)-42"(1067mm)	NA	NA
Double Unit	48"(1219mm)	36"(914mm)	12"(305mm)	NA
	54"(1372mm)	42"(1067mm)	12"(305mm)	NA
	60"(1524mm)	48"(1219mm)	12"(305mm)	NA
	66"(1676mm)	54"(1372mm)	12"(305mm)	NA
	72"(1829mm)	60"(1524mm)	12"(305mm)	NA
	78"(1981mm)	66"(1676mm)	12"(305mm)	NA
	84"(2134mm)	72"(1829mm)	12"(305mm)	NA
Triple Unit	72"(1829mm)	48"(1219mm)	12"(305mm)	12"(305mm)
	78"(1981mm)	54"(1372mm)	12"(305mm)	12"(305mm)
	84"(2134mm)	60"(1524mm)	12"(305mm)	12"(305mm)

\*Single Unit - Compose Echo Legs is for use with : 24"-42"W Be\_Hold Storage Units (the OSU must be specified with the (S) Stanchion Mounting Option).

# Compose Echo Accessory

## Compose to Storage Bracket - C7



ZZBF  
Class TR0

### Features

- Includes one painted bracket and attachment hardware.
- Available center mount, non-handed and left or right handed.

### Specification Tips

- Connects Be\_Hold storage to a Compose or Compose Connections panel.
- Designed to be used with 9"(229mm)H Be\_Hold Legs.
- Not for use with Be\_Hold Be or Compose Beam.
- Refer to Specification Guide for application guidelines.
- Separately specify:
  - Be\_Hold OSU
  - Be\_Hold Single Hinged Door Wardrobe
  - Compose Echo Be\_Hold Legs for use with Compose or Compose Connections

### To Order, Specify:

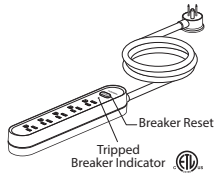
- 1) Product number.
- 2) Trim color.

Description	Height	Number	Trim	
			A	B
Center Mount	16"(406mm)	ZZBF-1600-PCB	\$168.41	\$174.02
Left-Hand	16"(406mm)	ZZBF-1600-PLB	168.41	174.02
Right-Hand	16"(406mm)	ZZBF-1600-PRB	168.41	174.02

# Electrical Components

## Belong

### Plug Strip



EUR1  
Class YA - Open Market

#### Features

- Includes one plug strip with five 120V receptacles (NEMA 5-15R), circuit breaker, and 9'(2743mm) braided power cord with low profile plug (NEMA 5-15P).
- Plug Strip can mount in wire management tray or mount directly to the underside of the worksurface without additional bracket.
- Plug Strip has keyhole slots for mounting below worksurface.
- UL 962A listed Furniture Power Distribution Unit.

#### Specification Tips

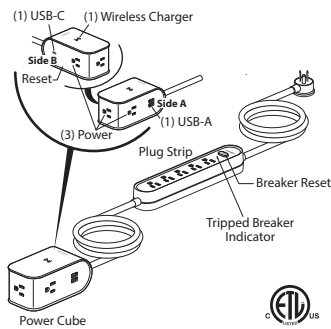
- Available in charcoal TR-K or snow TR-FM.
- Recommended for 23"(584mm)D surfaces which cannot accommodate a wire management tray.
- Application may require approval of local authority having jurisdiction (AHJ); ensure compliance before placing orders and installation.

#### To Order, Specify:

- 1) Product number.
- 2) Trim color.  
TR-K Charcoal  
TR-FM Snow

Description	Number	Price
Plug Strip	EUR1-BIN1-50000	\$94.42

### Power Suite



EUB5  
Class YA - Open Market

#### Features

- Includes one power module with three 120V receptacles (NEMA 5-15R), one dual USB-A charging port, one USB-C charging port, one wireless charger, one connected plug strip with five 120V receptacles (NEMA 5-15R), circuit breaker, and 9'(2743mm) hinged braided power cord with low profile plug (NEMA 5-15P).
- Cord connecting plug strip to power cube is 4'(1219mm).
- Power Cube can be freestanding on worksurface or be used with appropriate mounting bracket. Plug strip can mount in wire management tray or mount directly to the underside of the worksurface without additional bracket.
- 10W wireless charging coil on top of cube.
- USB-A and USB-C share 15W charging capability.
- USB-A provides two ports.
- USB-C provides one port for fast charge for a mobile phone.
- Power Cube has non-slip pad on bottom.
- Plug Strip has keyhole slots for mounting below worksurface.
- Circuit breaker has a reset indicator light.

#### Specification Tips

- Available in charcoal TR-K or snow TR-FM.
- Plug Strip designed to be mounted below worksurface for long term connection. Power Cube is mounted above the surface for a convenient power option.
- Recommended for 23"(584mm)D surfaces which cannot accommodate a wire management tray.
- Application may require approval of local authority having jurisdiction (AHJ); ensure compliance before placing orders and installation.

#### To Order, Specify:

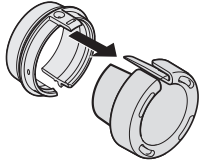
- 1) Product number.
- 2) Trim color.  
TR-K Charcoal  
TR-FM Snow

Description	Number	Price
Power Suite	EUB5-BIN1-81100YN	\$446.93

# Electrical Components

## Belong

### Cord Management Cuff



EUAC  
Class YA – Open Market

#### Features

- Includes one bag of 50 - 1"(25mm) Cuffs.
- Product is applied to both ends of the separately specified Mesh Cord Manager.

#### Specification Tips

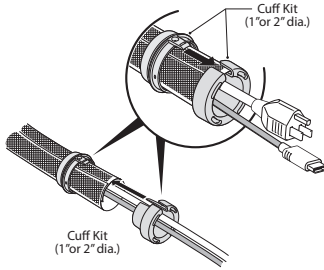
- Split cuff allows side insertion of cord or cable less than 0.5"(13mm) diameter. The shape or size of plug does not impede installation of cuff over cord cables.
- Available in charcoal TR-K only.
- Loom Insertion Tool Epart 24424401 is recommended for easier installation.

#### To Order, Specify:

- 1) Product number.

Description	Number	Price
1"(25mm) Bag of 50	EUAC-0001-C	\$230.34

### Mesh Cord Manager with Cuffs



EUAW  
Class YA1 – Open Market

#### Features

- Includes one bag of 50 - 1"(25mm) Cuffs and Cord Manager.
- Product is applied to both ends of the Mesh Cord Manager and one end snaps into the Belong Wire Management Tray.

#### Specification Tips

- Available in grey, white or black.
- Loom Insertion Tool Epart 24424401 is recommended for easier installation.

#### To Order, Specify:

- 1) Product number.

Description	Number	Price
100'(30480mm) 1"(25mm) with 50 Cuffs	EUAW-A001-CG	\$1164.86
	EUAW-A001-CW	1164.86
	EUAW-A001-CB	1164.86
1"(25mm) with No Cuffs	EUAW-A001-NG	976.01
	EUAW-A001-NW	976.01
	EUAW-A001-NB	976.01

# Compose Echo Resources

Surfaces Materials

Index

Warranty

# Surface Materials

## Finish Color Legend

### Wood

#### Grade A

##### Double Cut

2P-RL	Applegate
CQ-HKL	Auburn
CQ-HBF	Clove
WE-RD	Dune
WJ-RE	Ebony
2N-RL	Echo
WE-RT	Melba
CQ-WG	Walnut Grove

#### Grade B

##### Cherry

VC-CA1	Amber
VC-W23	American
VC-CPK	Bourbon
VC-HKF	Burgundy
VC-W33	Caramel
VC-W30	Heritage
VC-W32	Pacific
VC-HKA	Toffee

##### Maple

VP-LM	Light
VP-N	Natural

##### Maple Quarter Cut

NM-N	Natural
------	---------

##### Oak

VJ-HKC	Urban
--------	-------

##### Rift Cut White Oak

NR-W35	Clear
NR-W15	Espresso
NR-W40	Mocha

##### Walnut

VR-HKG	Colombian
VR-W15	Espresso
VR-W31	Retro

##### Walnut Quarter Cut

NW-W35	Clear
NW-W31	Retro

### HPL

#### Grade A

##### Solid Color

H-34	Beige
H-AK	Chalk
H-8J	Charcoal
H-3J	Graphite
H-62	Gray Tone
H-WL	Linen
H-3P	Platinum
H-AA	Putty
H-3E	Smoke

##### Patterned

H-P1	Linen Casual
H-P2	Linen Classic
H-P3	Linen Crisp
H-P4	Linen Flax

##### Wood

H-B06	Brazilwood
H-E79	Colombian Walnut
H-AE	Maple
H-DYP	New Age Oak
H-E15	River Cherry
H-C09	Williamsburg Cherry

#### Grade B

##### Premium Wood Grain

H-C8	Blonde Modern Cherry
H-D1	Daintree
H-KP	Field Elm
H-KN	Grey Elm
H-KM	Landmark Wood
H-D2	Mocha Modern Cherry
H-KL	Neo Walnut
H-KR	Phantom Ecoru
H-KS	Phantom Pearl
H-C9	Spiced Modern Cherry

#### Grade E

##### Premium

H-C2	Drift
H-C6	Hatch
H-C1	Hay
H-C5	Mineral
H-C4	Molasses
H-C3	Pecan
H-C7	Tanned

### Edgeband

#### Solid Color

HP-34	Beige
HP-AK	Chalk
HP-8J	Charcoal
HP-3J	Graphite
HP-62	Gray Tone
HP-WL	Linen
HP-3P	Platinum
HP-AA	Putty
HP-3E	Smoke

#### Patterned Edgeband

HP-P1	Linen Casual
HP-P2	Linen Classic
HP-P3	Linen Crisp
HP-P4	Linen Flax

#### Wood Grain

HP-C8	Blonde Modern Cherry
HP-B06	Brazilwood
HP-E79	Colombian Walnut
HP-D1	Daintree
HP-KP	Field Elm
HP-KN	Grey Elm
HP-KM	Landmark Wood
HP-AE	Maple
HP-D2	Mocha Modern Cherry
HP-KL	Neo Walnut
HP-DYP	New Age Oak
HP-KR	Phantom Ecoru
HP-KS	Phantom Pearl
HP-E15	River Cherry
HP-C9	Spiced Modern Cherry
HP-C09	Williamsburg Cherry

#### Premium

HP-C2	Drift
HP-C6	Hatch
HP-C1	Hay
HP-C5	Mineral
HP-C4	Molasses
HP-C3	Pecan
HP-C7	Tanned

#### Ply-Edge

HP-PW	Ply-Edge
-------	----------

### Trim

#### Grade A

##### Smooth

TR-F	Black
TR-AK	Chalk
TR-K	Charcoal*
TR-C1	Cocoa
TR-J	Graphite
TR-G	Gray Tone
TR-AA	Putty
TR-E	Smoke
TR-PLS	Smooth Plaster*
TR-FM	Snow

##### Textured

TR-G	Grout
TR-TF	Pitch

#### Grade B

##### Smooth

TR-IC	Accent Blue
TR-IG	Blue Jay
TR-IN	Night

##### Smooth Metallic

TR-DM	Dark Bronze Metallic
TR-MC	Metallic Champagne
TR-MG	Metallic Gunmetal
TR-LE	Metallic Silver*

##### Textured Metallic

TR-AR	Argent
TR-HE	Hellenic

##### Casters

TR-F	Black
TR-7	Fog
TR-LPL	Light Platinum

##### PET Finishes

PET-C1	Dusk
PET-C2	Flint
PET-C4	Mink

**NOTE:** \*Represents Compose Echo Limited Finishes Height Adjustable paint finishes.

**ALERT:** These materials are current, however they are being considered for future obsolescence due to low volume.

### Wood

VJ-W42	Brindle
2R-RL	Butternut
NW-W15	Espresso
NP-W08	Golden
NP-W07	Light
NX-U	Medium
VR-W12	Naturally Walnut
WC-RW	Wenge

### HPL

H-AM	Amber Cherry
H-AD	Medium Cherry

### Edgeband

HP-AM	Cherry
H-AD	Medium Cherry

### Trim

TR-1E	Accent Orange
TR-1F	Accent Red
TR-CTS	Chartreuse
TR-1H	Terra
TR-1K	Wren

# Surface Materials

## Fabrics/Color Legend

### Vertical Fabrics

#### Grade A

- (36) Aerial
- (6X) Chevron
- (35) Etch
- (L6) Highlands
- (C1) Striae
- (PY) Tailored
- (3A) Tellure

#### Grade B

- (4HV) Blanket
- (33) Camp
- (L5) Classic
- (34) Fields
- (3JV) Hobson
- (6) Hue
- (S3V) Kaleidoscope
- (3LV) Novelty
- (2AV) Pixel
- (PV) Ritz
- (WS) Shimmer

#### Grade C

- (SW) Sisal

#### Vertical Grade D

- (4NV) Diagonale
- (4ZV) Element
- (67V) King II

#### Grade E

- (LWV) Atlas by Kvadrat
- (NVV) Clara 2 by Kvadrat
- (6SV) Floyd by Kvadrat
- (68V) Maya II

#### Grade G

- (66V) Class II
- (JBV) Cotswold
- (4TV) Oceanic

#### Grade H

- (S7V) Melange Nap

### Seating Fabrics

#### Grade B

- (4H) Blanket
- (2A) Pixel

#### Grade D

- (JB) Cotswold
- (4N) Diagonale
- (67) King II

#### Grade E

- (S6) Floyd by Kvadrat
- (68) Maya II

#### Grade G

- (JB) Cotswold
- (4T) Oceanic
- (66) Class II

#### Grade H

- (S7) Melange Nap by Kvadrat

\* For most current finish and fabric availability please reference [surfaces.haworth.com](https://surfaces.haworth.com).

**ALERT:** These materials are current, however they are being considered for future obsolescence due to low volume.

### Fabrics

#### Grade C

- (PH) Birds Next

### Haworth+

For information on the Haworth+ alliance program, including images and product availability, please refer to: [Haworth.com](https://www.haworth.com) > Surface Collection > Haworth+ Library

### Customer's Own Material (COM)

For general Customer's Own Material (COM) information including processes and forms, please refer to: [Haworth.com](https://www.haworth.com) > Surface Collection > Resources > COM

For information on approved COM's, please refer to: [Haworth.com](https://www.haworth.com) > Surface Collection > COM Library

# Index

Products are listed alphabetically in this index by alpha-numeric prefix/suffix codes.

<u>Product Code</u>	<u>Product Description</u>	<u>Page</u>
7031-7001	Tablet Markerboard – Markerboard Accessories	.25
7031-7002	Tablet Markerboard – Markerboard Accessories	.25
7062-8001	Tablet Markerboard – Markerboard Accessories	.25
ATMR	Compose Echo Table – Markerboard Rail	.26
ATSR	Height Adjustable Table Accessories – Table Stop	.19
ATTL	Height Adjustable Table Accessories – Worksurface Guard Rail	.24
ATTM	Tablet Markerboard – Markerboard	.25
ATTR	Height Adjustable Table Accessories – Pivoting Tray	.24
ATTS	Height Adjustable Table Accessories – Onboard Storage	.20
ATWN	Height Adjustable Table Accessories – Horizontal Wire Management with Modesty or without	.21
ATWT	Height Adjustable Table Accessories – Table Tether	.18
AUTG	Height Adjustable Table Accessories – Table Grip	.23
BAES	Compose Echo Be_Hold – Legs – for use with Compose	.27
BAES	Compose Echo Be_Hold – Legs – Single, Double or Triple Unit for use with Compose Connections	.29
ETAW	Height Adjustable Table Accessories – Wire Manager – Vertical Wire Manager	.22
EUAC	Electrical Components – Belong – Cord Management Cuff	.33
EUAW	Electrical Components – Belong – Mesh Cord Manager with Cuffs	.33
EUB5	Electrical Components – Belong – Power Suite	.32
EUR1	Electrical Components – Belong – Plug Strip	.32
EZAH-0200-P	Height Adjustable Table Accessories – Wire Manager – Cable Management Hook	.22
TFPA	Height Adjustable Table – Rectangular Radius Corner	.16
TFRA	Height Adjustable Table – Rectangular	.14
ZZBF	Compose Echo Accessory – Compose to Storage Bracket - C7	.31

# Product Compatibility and Limited Warranty Policy

## Great Expectations

You have them as a Haworth customer and so do we. And because we value our customers, we cover our products with the Haworth North America Product Compatibility and Limited Warranty Policy.

## Our Commitment To Product Compatibility – Integrated Product Platforms

As a market leader in the design and manufacture of workspaces that adapt to change, we strive to maintain product compatibility within our various generations of integrated product platforms. This benefits the customer who desires to update or modify their work environment. It also benefits the customer needing to replace a product due to damage or other reasons but which is no longer manufactured or is otherwise unavailable, such as a fabric or finish that is discontinued because of changing market preferences. In both circumstances, we often can provide products with comparable function and performance.

## Our Commitment To Product Quality – The Haworth North America Limited Warranty

To ensure customer satisfaction and peace of mind, we stand behind our products with the Haworth North America Limited Warranty. To review the current version of the limited warranty including its terms and conditions, please go to:

**[www.haworth.com/warranty](http://www.haworth.com/warranty) or contact [OneTouch@Haworth.com](mailto:OneTouch@Haworth.com) or 1 877 429 6784.**

## Warranty Requests or Questions

For questions or service requests pertaining to the Haworth Limited Warranty, please contact your Haworth dealer.

If you are unsure who your dealer is, please contact **[OneTouch@Haworth.com](mailto:OneTouch@Haworth.com) or 1 877 429 6784.**

# Terms of Sale

The Terms of Sale apply to all products in the North America Price Lists. To review the current version of the North American Terms of Sale, please go to:

**[www.haworth.com/terms-of-sale](http://www.haworth.com/terms-of-sale) or contact [OneTouch@Haworth.com](mailto:OneTouch@Haworth.com) or 1 877 429 6784.**

HAWORTH® is a registered trademark of Haworth, Inc.

© Haworth, Inc. All rights reserved. 2025 12.25

[haworth.com](http://haworth.com) | 800 344 2600